



AIR TANK CLAMPS





Air Tank Clamp

- Air Tank Clamps
- Colliers pour Réservoirs d'air
- Befestigungen für Druckluftbehälter
- Fascette per serbatoi d'aria
- Abrazaderas para depósitos de aire



INVICTA 88X – One Part Air Tank Clamp

Features:

Increased safety, with two internal weld seams and two external weld spots at the strap anchorage point on the support.

2mm Mild Carbon Steel, Phosphated, and with 800 micron Polyamide coating.

This clamp is fully assembled with either two M12 DIN984 or two M12 DIN980 Nuts

Compliant with STANDARD 87/404/EC

| Ø |
|-------|
| 206mm |
| 246mm |
| 276mm |
| 310mm |
| 396mm |



INVICTA 87X “FLANGE” Air Tank Clamp

Features

1. Carbon Steel with 800-micron Polyamide coating
2. Assembled with 2 Standard M10 Nuts

| Ø |
|--------------|
| 206mm |
| 246mm |
| 276mm |
| 310mm |
| 396mm |



INVICTA WKLX Air Tank

Features :

1. Carbon Steel with Black Powder Coating
2. Fitted with EPDM Rubber
3. Assembled with 1 M12 Nut and 1 M12 Washer
4. Each clamp packed individually in a poly-bag

| Ø |
|--------------|
| 206mm |
| 246mm |
| 276mm |
| 310mm |
| 396mm |



INVICTA 97X – Two Part Air Tank Clamp

Features :

1. Steel Thickness - 2mm
2. Available in Zinc Plating or in 800-micron Polyamide Coating
3. Sold unassembled as a kit, with channel and strap in a plastic bag.
4. Sold with two M12 Nuts : 1 M12 Nylock Nut, and 1 M12 Flat Washer
5. These clamps enable a 50% reduction in transportation volume.
Assembly instructions are provided.

| Ø |
|--------------|
| 206mm |
| 246mm |
| 276mm |
| 310mm |
| 396mm |

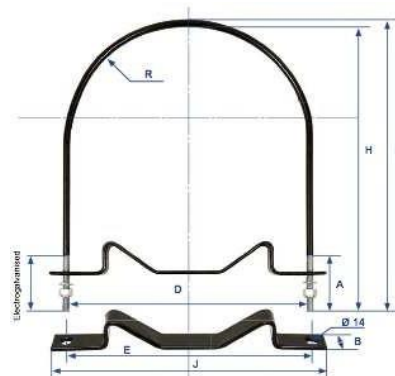


INVICTA 84X - Standard V-Shaped Air Tank Clamp

Features :

1. Carbon Steel with 800 micron Polyamide Coating
2. 4mm thick carbon steel with 14mm hole
3. Sold individually, not assembled, with two M10 nylock nuts and two M10 plain washers

| Ø |
|--------------|
| 206mm |
| 246mm |
| 276mm |
| 396mm |
| 310mm |
| 360mm |
| 396mm |

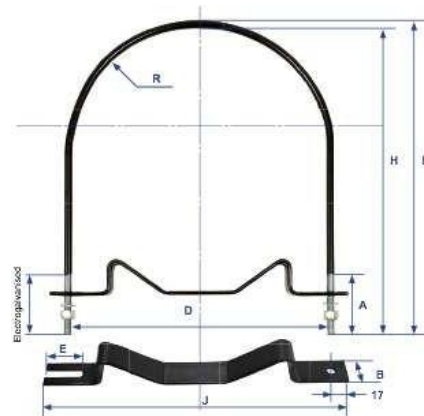


INVICTA 7172X - Italian V-Shaped Air Tank Clamp

Features:

1. Carbon Steel with 800 micron Polyamide Coating
2. M8 “U” for Aluminium Tanks and M10 “U” for STEEL Tanks
3. 4mm thick carbon steel with 14mm hole
4. Sold individually, not assembled, with two M10 nylock nuts and two M10 plain washers

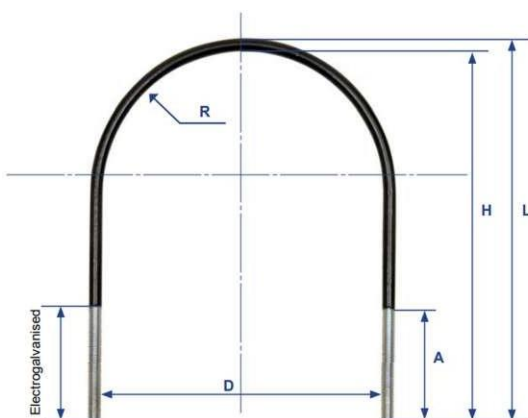
| |
|--------------|
| Ø |
| 206mm |
| 246mm |
| 276mm |
| 296mm |
| 310mm |
| 360mm |
| 396mm |



75X : Standard U for Air Tank

Features :

1. Carbon Steel with 800 micron Polyamide Coating and Zinc Plating
2. M10 Thread

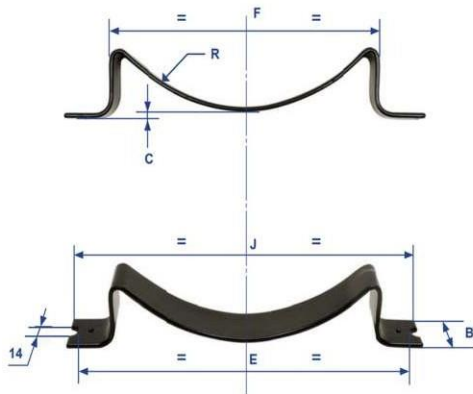


| Tank Diameter = D | R | A | H | L |
|------------------------------|-----|-----|-----|-----|
| 100 | 50 | 90 | 185 | 195 |
| 150 | 75 | 90 | 210 | 220 |
| 200 | 100 | 90 | 270 | 280 |
| 206 | 103 | 85 | 276 | 286 |
| 246 | 123 | 85 | 316 | 326 |
| 250 | 125 | 55 | 290 | 300 |
| 250 | 125 | 95 | 330 | 340 |
| Replaced by 75.276.00 | | | | |
| 275 - 276 | 138 | 85 | 346 | 356 |
| 300 | 150 | 70 | 360 | 370 |
| 300 | 150 | 50 | 337 | 347 |
| 300 | 150 | 40 | 275 | 285 |
| 300 | 150 | 130 | 400 | 410 |
| 310 | 155 | 82 | 372 | 382 |
| 310 | 155 | 57 | 347 | 357 |
| 320 | 160 | 60 | 360 | 370 |
| 350 | 175 | 95 | 415 | 425 |
| 396 | 198 | 85 | 466 | 476 |
| 400 | 200 | 110 | 496 | 506 |

76X : Standard Support for Air Tank

Features:

1.3mm Carbon Steel with 800 micron Polyamide Coating



| Tank Diameter = D | R | E | F | B | J | C |
|-----------------------|-----|-----|-----|----|-----|-----|
| 100 | 50 | 98 | 78 | 40 | 110 | 4 |
| 150 | 75 | 148 | 130 | 40 | 160 | 4 |
| 200 | 100 | 198 | 149 | 40 | 210 | 5 |
| 206 | 103 | 204 | 155 | 40 | 216 | 5 |
| 246 | 123 | 244 | 172 | 40 | 256 | 5 |
| 250 | 125 | 248 | 176 | 40 | 260 | 5 |
| 250 | 125 | 248 | 176 | 40 | 260 | 1,5 |
| Replaced by 76.276.00 | | | | | | |
| 275 - 276 | 138 | 274 | 202 | 40 | 286 | 5 |
| 300 | 150 | 298 | 226 | 40 | 310 | 5 |
| 310 | 155 | 308 | 236 | 40 | 320 | 6 |
| 320 | 160 | 318 | 246 | 40 | 330 | 8 |
| 350 | 175 | 348 | 265 | 40 | 360 | 10 |
| 396 | 198 | 394 | 311 | 40 | 406 | 10 |
| 400 | 200 | 398 | 315 | 40 | 410 | 10 |

77X : Standard Kits for Air Tank Clamps

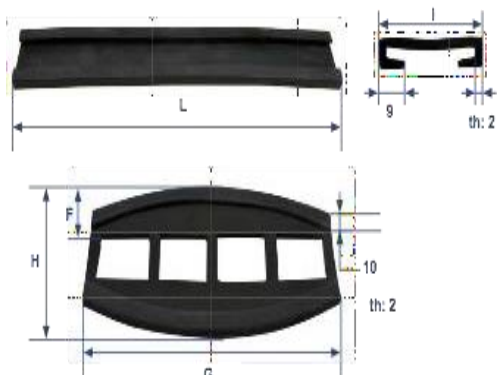
Features :

1. A kit comprises 2 U + 2 Support + 4 Nylock Nuts; each kit packed in a plastic bag
2. Additional Nylock nuts available on request.



| Tank Diameter = D | Standard "U" | Standard Supports | Nylstop M10 Nuts |
|-----------------------|--------------|-------------------|------------------|
| 100 | 75.100.00 | 76.100.00 | 78.000.00 |
| 150 | 75.150.00 | 76.150.00 | 78.000.00 |
| 200 | 75.200.00 | 76.200.00 | 78.000.00 |
| 206 | 75.206.00 | 76.206.00 | 78.000.00 |
| 246 | 75.246.00 | 76.246.00 | 78.000.00 |
| 250 | 75.250.00 | 76.250.00 | 78.000.00 |
| Replaced by 77.276.00 | | | |
| 275 - 276 | 75.276.00 | 76.276.00 | 78.000.00 |
| 300 | 75.300.00 | 76.300.00 | 78.000.00 |
| 300 | 75.300.01 | 76.300.00 | 78.000.00 |
| 310 | 75.310.00 | 76.310.00 | 78.000.00 |
| 310 | 75.310.01 | 76.310.00 | 78.000.00 |
| 320 | 75.320.00 | 76.320.00 | 78.000.00 |
| 350 | 75.350.00 | 76.350.00 | 78.000.00 |
| 396 | 75.396.00 | 76.396.00 | 78.000.00 |
| 400 | 75.400.00 | 76.400.00 | 78.000.00 |

Rubber Protection for Air Tank Clamps



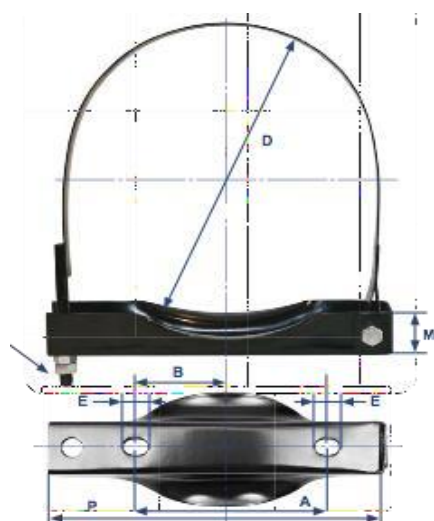
| | | | | | | |
|-----------|-----|-----|----|----|-----|----|
| 93.206.00 | 208 | 450 | 40 | 31 | 128 | 92 |
| 93.000.00 | 248 | 700 | 40 | 32 | 158 | 95 |
| | 278 | 700 | 40 | 32 | 158 | 95 |
| | 310 | 700 | 40 | 32 | 158 | 95 |
| 93.396.00 | 396 | 930 | 40 | 33 | 190 | 96 |



73X : Foldable Air Tank Clamps

Sold in **KITS** of two clamps. 2 mm thick steel, "Phosphated" then coated with matt black paint or electrogalvanised. .

Foldable "Strap" Clamps sold in **KITS** containing two clamps in a plastic bag:
2 foldable clamps + 4 standard M12 nuts.



| Tank Diameter = D | A | B | M | P | E |
|-------------------|-----|-----|----|-----|-------|
| 208 | 130 | 65 | 43 | 230 | 11x16 |
| 248 | 180 | 90 | 43 | 270 | 11x16 |
| 278 | 180 | 90 | 43 | 300 | 11x16 |
| 310 | 200 | 100 | 43 | 335 | 11x16 |
| 396 | 250 | 125 | 43 | 420 | 11x16 |
| 208 | 122 | 61 | 43 | 230 | 12x16 |
| 248 | 162 | 81 | 43 | 270 | 12x16 |
| 278 | 192 | 96 | 43 | 300 | 12x16 |
| 310 | 227 | 113 | 43 | 335 | 12x16 |
| 396 | 307 | 153 | 43 | 420 | 12x16 |

Contact Information

Invicta India Pvt. Ltd.

N-258/B GK1
New Delhi
India

REX Consolidated (Factory)

80 DLF Industrial Area Phase 1
Faridabad 121003
India
Phone : +91-9810614124

© Copyright 2016 Invicta India Pvt. Ltd.

All information and data stated in this Product Range document has been compiled with utmost care. Nevertheless, Invicta accepts no liability for any errors, omissions or other inaccuracies contained herein. Subject to change without notice. Reprinting or reproduction, in whole or in part, including of photographs, illustrations or graphics, is not permitted without the prior written consent of Invicta India Pvt. Ltd.. We reserve all rights in connection with this document.

The vehicle applications cited in this Product Range document may possibly be valid only up to the date printed on the last page of the document. All references made in this Product Range document to the item numbers of vehicle manufacturers and/or competitors are provided for the purpose of comparison only. Such information is not allowed to be used in invoices issued to vehicle owners.

For enquiries, please email us : rahul@invictaindia.com