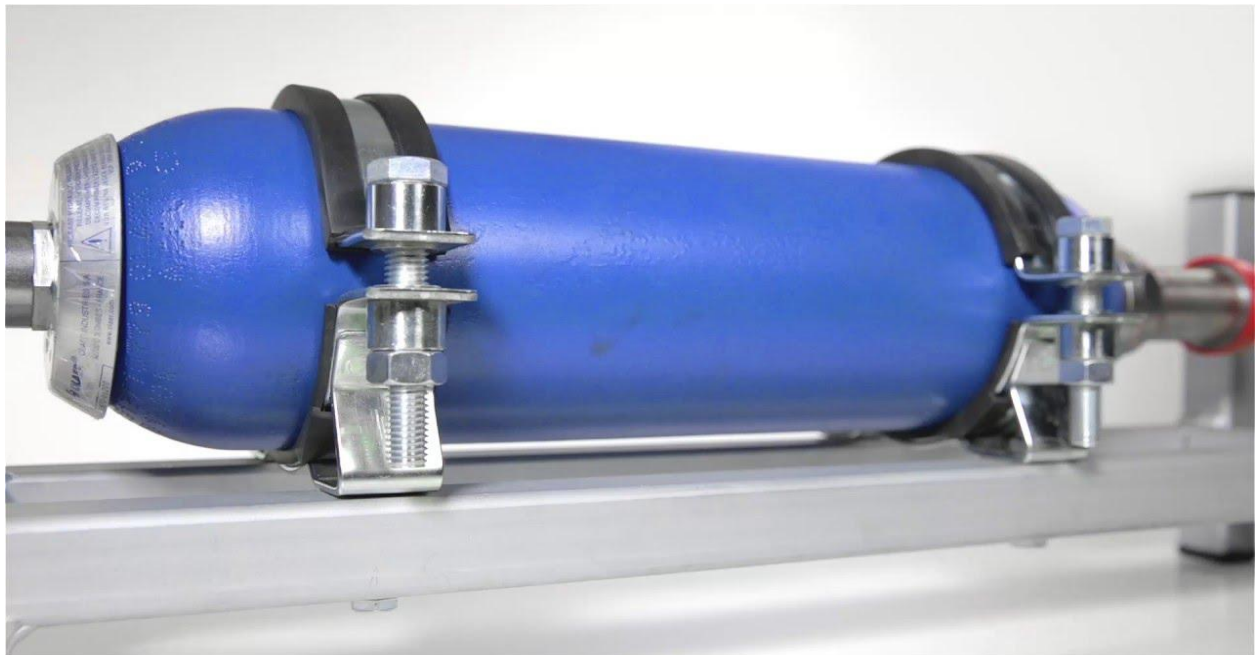




**CONSOLE CLAMP & HYDRAULIC
ACCUMULATOR
CLAMPS**

PRODUCT CATALOGUE

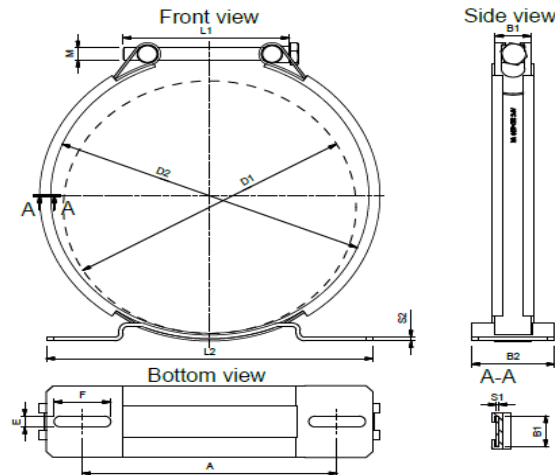


LIGHT DUTY

Console: Zinc plated, Mild Steel; AISI 430; AISI 304; AISI 316

Clamp: Zinc plated, Mild Steel; AISI 430; AISI 304; AISI 316

Rubber profile: EPDM; Neoprene; Silicon rubber



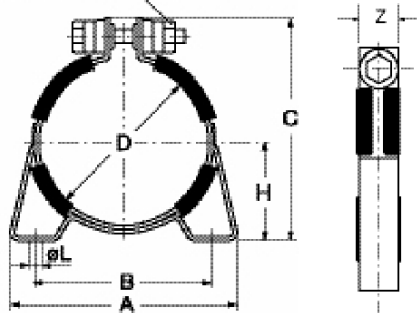
SIZES

Clamp	Clamp	Band	Band	Thicknes	Screw	Console	Console	Console	Pitch	Pitch	Advised
Minimum	Maximum	Width	W1	W4	Size	Width	Length	Thickness	Size	hole size	Torque
D1	D2	B1	S1	S1	M	B2	L2	S2	A	E*F	
44	50	22	1.2	0.8	6	40	120	3	93	9*17	6 Nm
49	54	22	1.2	0.8	6	40	120	3	93	9*17	6 Nm
53	59	22	1.2	0.8	8	40	120	3	93	9*17	18 Nm
57	62	22	1.2	0.8	8	40	120	3	93	9*17	18 Nm
62	67	24	1.5	0.8	8	50	156	3	118	9*27	18 Nm
68	73	24	1.5	0.8	8	50	156	3	118	9*27	18 Nm
73	79	24	1.5	0.8	8	50	156	3	118	9*27	18 Nm
80	88	24	1.5	0.8	8	50	156	3	118	9*27	18 Nm
86	93	24	1.5	0.8	8	50	156	3	118	9*27	18 Nm
92	101	24	1.5	0.8	8	50	156	3	118	9*27	18 Nm
100	109	24	1.5	0.8	8	50	156	3	118	9*27	18 Nm
109	117	24	1.5	0.8	8	50	156	3	118	9*27	18 Nm

117	126	24	1.5	0.8	8	50	156	3	118	9*27	18 Nm
127	137	26	1.7	1	10	50	156	3	118	9*27	36 Nm
136	145	26	1.7	1	10	50	156	3	118	9*27	36 Nm
146	157	26	1.7	1	10	50	156	3	118	9*27	36 Nm
158	169	26	1.7	1	10	50	156	3	118	9*27	36 Nm
171	183	26	1.7	1	10	60	236	3	184	9*41	36 Nm
183	194	26	1.7	1	10	60	236	3	184	9*41	36 Nm
195	208	26	1.7	1	10	60	236	3	184	9*41	36 Nm
209	222	26	1.7	1	10	60	236	3	184	9*41	36 Nm
222	233	26	1.7	1	10	60	236	3	184	9*41	36 Nm
231	249	26	1.7	1	10	60	236	4	184	9*41	36 Nm
235	246	30	1.5	1.2	10	60	300	4	250	11*39	36 Nm
248	259	30	1.5	1.2	10	60	300	4	250	11*39	36 Nm
261	272	30	1.5	1.2	10	60	300	4	250	11*39	36 Nm
274	285	30	1.5	1.2	10	60	300	4	250	11*39	36 Nm
287	298	30	1.5	1.2	10	60	300	4	250	11*39	36 Nm
300	311	30	1.5	1.2	10	60	300	4	250	11*39	36 Nm
313	324	30	1.5	1.2	10	60	300	4	250	11*39	36 Nm
326	337	30	1.5	1.2	10	60	300	4	250	11*39	36 Nm
339	350	30	1.5	1.2	10	60	400	4	350	11*39	36 Nm
352	363	30	1.5	1.2	10	60	400	4	350	11*39	36 Nm
365	376	30	1.5	1.2	10	60	400	4	350	11*39	36 Nm
378	389	30	1.5	1.2	10	60	400	4	350	11*39	36 Nm
391	402	30	1.5	1.2	10	60	400	4	350	11*39	36 Nm
404	415	30	1.5	1.2	10	60	400	4	350	11*39	36 Nm
417	428	30	1.5	1.2	10	60	400	4	350	11*39	36 Nm
430	441	30	1.5	1.2	10	60	400	4	350	11*39	36 Nm
443	454	30	1.5	1.2	10	60	400	4	350	11*39	36 Nm
456	467	30	1.5	1.2	10	60	400	4	350	11*39	36 Nm
469	480	30	1.5	1.2	10	60	400	4	350	11*39	36 Nm
482	493	30	1.5	1.2	10	60	400	4	350	11*39	36 Nm

HS - REGULAR DUTY CLAMP, WITH SINGLE CENTER ADJUSTMENT

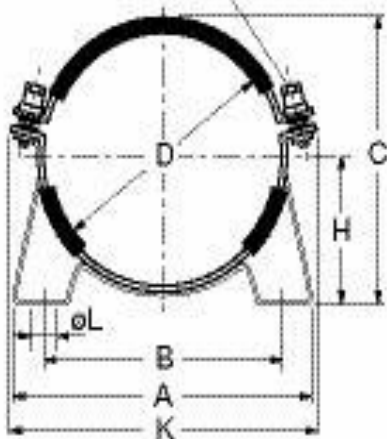
Torque to 20 Nm (15 lb-ft)



	D	D (range)	A	B	C (ref.)	H	ØL	Z	Weight kg.(lbs)
	167	164-170	185	153	211	92.5	9	30	0.9
	6.57	6.46-6.69	7.28	6.02	8.31	3.64	0.35	1.18	2.0

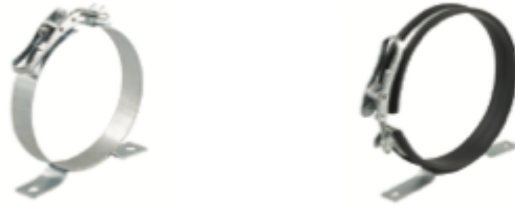
HSS - HEAVY DUTY CLAMP WITH TWO-PIECE CONSTRUCTION

Torque to 35 Nm (26 lb-ft)



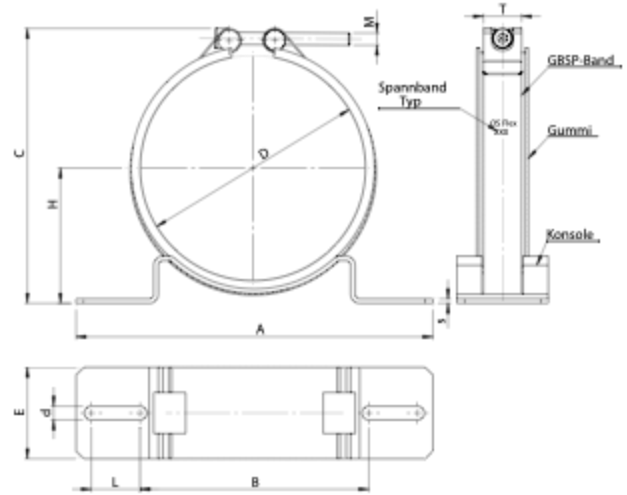
	D	D (range)	A	B	C (ref.)	H	K	ØL	Z	Weight kg.(lbs)
	219	216-222	268	216	240	123	285	15	40	1.7
	8.62	8.50-8.74	10.55	8.50	9.45	4.84	11.22	0.59	1.57	3.8
	226	220-231	270	216	244	123	295	15	40	1.7
	8.90	8.66-9.10	10.63	8.50	9.61	4.84	11.61	0.59	1.57	3.8
	242	231-242	268	216	265	136	305	15	40	1.7
	9.53	9.10-9.53	10.55	8.50	10.43	5.35	12.01	0.59	1.57	3.8
	286	283-289	332	280	314	163	355	15	40	2.1
	11.26	11.14-11.38	13.07	11.02	12.36	6.42	13.98	0.59	1.57	4.6
	310	307-313	332	280	333	170	380	15	40	2.1
	12.20	12.09-12.32	13.07	11.02	13.11	6.69	14.96	0.59	1.57	4.6

QUICK RELEASE CONSOLE CLAMPS



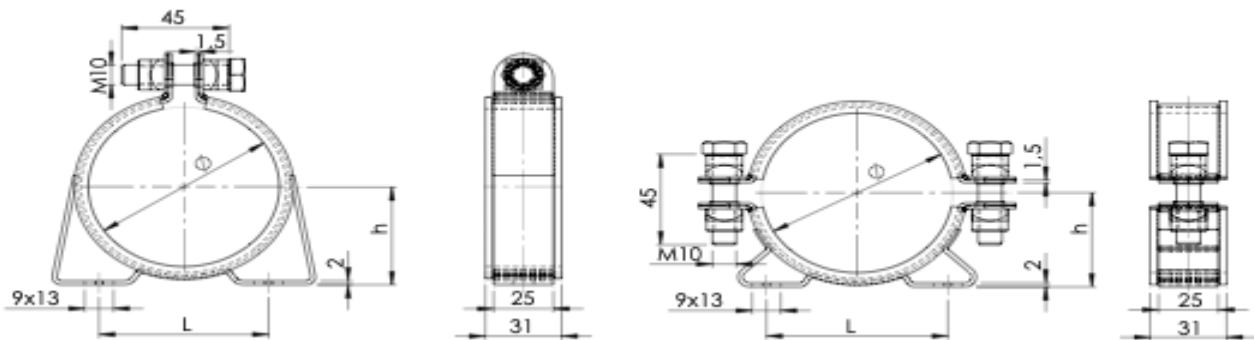
Size	D	Type	H	c max	M	T	A	s	L	B	E	d
1	101-109	106	58.5-62.5	137	M8x80	25x1,0	156	3	18	100	50	9
	110-118	115	63.0-67.0	146								
	119-127	124	66.8-70.8	154								
	128-136	133	71.3-75.3	163								
	137-145	142	76.0-80.0	172								
	146-154	151	80.5-84.5	181								
155-163	160	85.0-89.0	190									
2	163-171	169	90.1-94.1	200	M8x80	25x1,0	236	3	32	152	60	9
	167-175	173	92.1-96.1	204								
	172-180	178	94.6-98.6	209								
	181-189	187	98.4-102.4	217								
	186-194	192	100.9-104.9	222								
	190-198	196	102.9-106.9	226								
	199-207	205	107.4-111.4	235								
	208-216	214	111.2-115.2	243								
	217-225	223	115.7-119.7	252								
226-234	231	120.2-124.2	261									
3	235-246	243	129.0-134.5	279	M10x90	30x1,0	300	4	28	222	60	11
	248-259	256	135.5-141.0	292								
	261-272	269	140.9-146.4	304								
	274-285	282	147.4-152.9	317								
	287-298	295	153.9-159.4	330								
	300-311	308	159.4-164.9	342								
	313-324	321	165.9-171.4	355								
	326-337	334	172.4-177.9	368								
4	339-350	347	181.2-186.7	385	M10x90	30x1,5	400	4	28	322	60	11
	352-363	360	187.7-193.2	398								
	365-376	373	194.2-199.7	411								
	378-389	386	200.7-206.2	424								
	391-402	399	205.2-210.7	435								
	404-415	412	211.7-217.2	448								
	417-428	425	218.2-223.7	461								
	430-441	438	224.7-230.2	474								
	443-454	451	229.4-234.9	485								
	456-467	464	235.9-241.4	498								
	469-480	477	242.4-247.9	511								
	482-493	490	248.9-254.4	524								
	495-506	503	255.4-260.9	537								

QRC CONSOLE CLAMP



Size	D	Type	H	c max	M	T	A	s	L	B	E	d
0	44-46	47	29.8-32.3	67	M6x50	20x0,8	120	3	8	85	40	9
	46-49	50	30.8-32.3	69								
	51-54	55	33.3-34.8	75								
	55-58	59	35.3-36.8	77								
	58-61	62	37.3-38.8	83								
	62-65	65	38.0-39.5	85								
	66-69	69	40.0-41.5	89								
	70-73	73	42.0-43.5	93								
	73-76	76	43.5-45.0	96								
	77-80	80	45.5-47.0	100								
	81-84	85	47.0-48.5	104								
	85-88	89	49.0-50.5	108								
	89-92	93	51.0-52.5	112								
	92-95	96	52.5-54.0	115								
96-100	100	54.5-56.5	120									

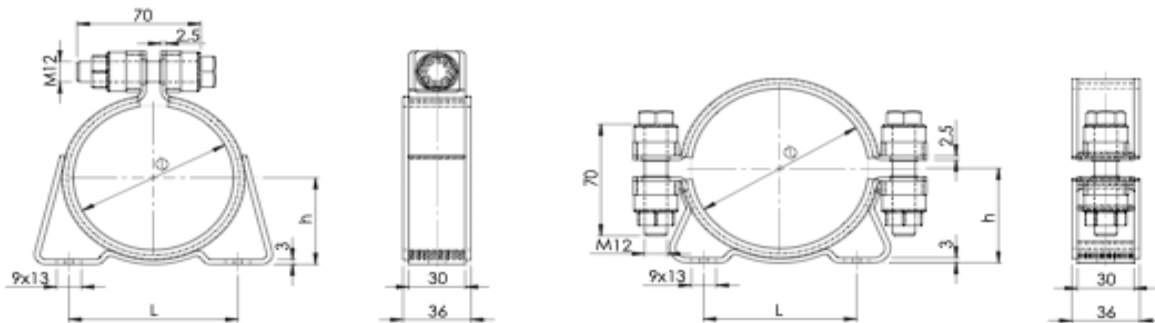
LIGHT DUTY RAISED CONSOLE CLAMP



Ø	h-	L ± 2	Order code
			1-piece
50	33.5	70	5001 50
52	34.5		5001 52
54	35.5		5001 54
56	36.5		5001 56
58	37.5		5001 58
60	38.5		5001 60
62	39.5		5001 62
64	40.5		5001 64
66	41.5	80	5001 66
68	42.5		5001 68
70	43.5		5001 70
72	44.5		5001 72
74	45.5		5001 74
76	46.5		5001 76
78	47.5		5001 78
80	48.5		5001 80

Ø	h-	L ± 2	Order code
			2-piece
80	50.5	80	5002 80
82	52.5		5002 82
84	54.5		5002 84
86	56.5		5002 86
88	58.5		5002 88
90	60.5		5002 90
92	62.5		5002 92
94	64.5		5002 94
96	66.5		5002 96
98	68.5		5002 98
100	70.5	5002 100	
102	72.5	5002 102	

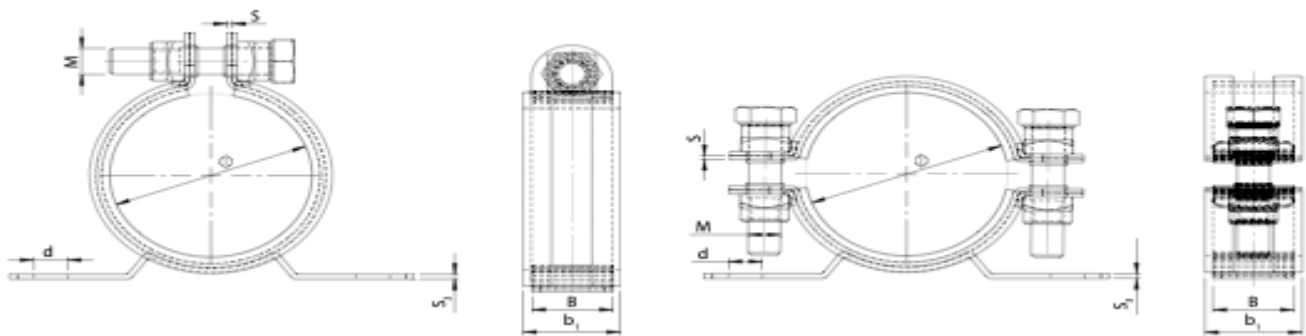
HEAVY DUTY RAISED CONSOLE CLAMP



Ø	h~	L ± 1	Order code	
			1-piece	2-piece
080	48	82	6001 080	-
085	51	90	6001 085	-
089	53	82	6001 089	-
092	51	90	6001 092	-
095	56		6001 095	-
098	58		6001 098	-
100	58		6001 100	-
102	60		6001 102	-
108	62		100	6001 108
110	63	6001 110		6002 110
112	64	6001 112		6002 112
113	65	6001 113		6002 113
114	66	6001 114		6002 114
115	66	6001 115		6002 115
117	67	6001 117		6002 117
120	69	6001 120		6002 120
121	69	6001 121		6002 121
124	71	6001 124		6002 124

Ø	h~	L ± 1	Order code	
			1-piece	2-piece
128	73	136	6001 128	6002 128
130	73		6001 130	6002 130
133	75		6001 133	6002 133
135	76		6001 135	6002 135
136	77		6001 136	6002 136
139	78		6001 139	6002 139
140	79		6001 140	6002 140
145	81		6001 145	6002 145
146	82		6001 146	6002 146
150	83		6001 150	6002 150
152	85	148	6001 152	6002 152
154	85		6001 154	6002 154
159	88		6001 159	6002 159
160	89		6001 160	6002 160
163	90		6001 163	6002 163
165	91		6001 165	6002 165
167	92		6001 167	6002 167
168	93		6001 168	6002 168

OPEN CONSOLE CLAMP



B	S			Minimum ø mm	d	S ₁	Screw type		
	W1	W4	W5				Sz ⚙	Sk ⚙	Dimensions
15	0.8	0.6	0.6	25	6.5	1	x	x	M6 x 30
20	1.25	0.8	0.8	30	8.5	2	x	x	M8 x 40
25	1.50	1.0	1.0	50	11	2	-	x	M10 x 45
30	2.50	2.50	2.50	80	13	3	-	x	M12 x 70

B	S			Minimum ø mm	d	S ₁	Screw type		
	W1	W4	W5				Sz ⚙	Sk ⚙	Dimensions
30	4	3.0	3.0	100	13	4	-	x	M12 x 70
40	4	3.0	3.0	100	13	5	-	x	M12 x 70

CONTACT INFORMATION

Invicta India Pvt. Ltd.
N-258/B GK-1
New Delhi
India

REX Consolidated
80 DLF Industrial Area Phase I
Faridabad Haryana-121003
India

© Copyright 2016 Invicta India Pvt. Ltd.

All information and data stated in this Product Range document has been compiled with utmost care. Nevertheless, Invicta accepts no liability for any errors, omissions or other inaccuracies contained herein. Subject to change without notice. Reprinting or reproduction, in whole or in part, including of photographs, illustrations or graphics, is not permitted without the prior written consent of Invicta India Pvt. Ltd.. We reserve all rights in connection with this document.

Any similarity or resemblance is unintended and is merely a coincidence.

The vehicle applications cited in this Product Range document may possibly be valid only up to the date printed on the last page of the document. All references made in this Product Range document to the item numbers of vehicle manufacturers and/or competitors are provided for the purpose of comparison only. Such information is not allowed to be used in invoices issued to vehicle owners.

For enquiries, please email us : rahul@invictaindia.com

All drawings & illustrations are the property right of INVICTA and cannot be copied, duplicated or re-printed in any form without the prior written consent from INVICTA

Invicta Copyright @ 2016
All Right Reserved