



INVICTA®

CLAMP



INNOVATIVE CLAMPING TECHNOLOGY

www.invictaindia.com

DISCLAIMER

All drawings & illustrations are the property right of INVICTA and cannot be copied, duplicated or re-printed in any form without the prior written consent from INVICTA

The content and intellectual property of this catalogue is the property of Invicta India Pvt. Ltd.

Invicta Clamps : Catlogue_EN -

All Right Reserved

ABOUT INVICTA CLAMPS

Invicta Clamps is headquartered in Delhi, India and primarily operates in the lucrative niche category of clamping products. The company offers 20,000 products and solutions for a wide range of applications.

Since 1980 Invicta has been at the forefront of clamp and connecting technology. With a comprehensive range and proven quality and reliability, Invicta clamps are second to none. All Invicta clamps are manufactured to stringent quality standards. We provide the most up to date range of clamping products for agricultural machinery, commercial vehicles, construction equipment, engines, aviation, infrastructure/construction/water management, passenger vehicles, railway, white goods, wholesalers, and technical distributors.

Today Invicta Clamps are used by more than 1000 customers in 120 countries. With 7 production facilities and 10 warehouses, Invicta Clamps is continuing on its journey with consistent year-over-year growth in sales volume and R&D expenditure. With the support of our dedicated employees, we consistently produce products that exceed the expectations of our customers.

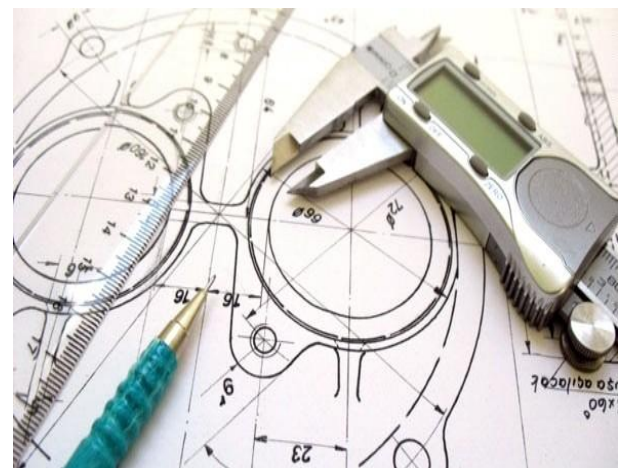
RELIABLE QUALITY



There is a reason why INVICTA Clamps are generally the first choice for our customers. Our relentless and ruthless focus on quality, combined with internationally certified facilities and processes, ensures that our customers always receive superior quality products. Approximately 95% of our products are manufactured on fully automated machinery, thereby ensuring a low error rate and consistent quality. At INVICTA, we follow a stringent quality system, from design and development through to assembly and packaging.

At INVICTA, the initial design process involves computer aided design and simulations. We use the latest design and analytical software systems to ensure that the most efficient and optimal technical designs are created. Subsequently, prototypes are comprehensively tested at our laboratory.

SUPERIOR ENGINEERING



Universal U Bolt Pipe Clamps/Universal Exhaust Clamps (M8/M10)

Available in : Zinc Plating, Chrome Plating, Stainless Steel 304
 Custom Sizes Available on Request

Pre-Assembled with 2 DIN934 Nuts

Applications : Exhaust Systems, TV Antennas, Signage Mountings

Size (in MM)						
26mm	40mm	52mm	65mm	85mm	106mm	135mm
28mm	41mm	54mm	67mm	89mm	107mm	140mm
32mm	42mm	57mm	70mm	92mm	114mm	142mm
35mm	45mm	58mm	75mm	95mm	120mm	165mm
36mm	48mm	60mm	80mm	99mm	127mm	200mm
38mm	50mm	63mm	83mm	102mm	130mm	



Universal U Bolt Pipe Clamps with Consolidation (M8 / M10)

Available in : Zinc Plating, Chrome Plating, Stainless Steel 304
 Custom Sizes Available on Request

Pre-Assembled with 2 DIN934 Nuts

Applications : Exhaust Systems, TV Antennas, Signage Mountings

Double Edge Consolidation provides added safety and strength by restricting the saddle from expanding.

The welded strips eliminate the possibility of having the clamp come off.

Size (in MM)		
70 MM S/W	102 MM S/W	135 MM S/W
76 MM S/W	105 MM S/W	140 MM S/W
80 MM S/W	106 MM S/W	142 MM S/W
83 MM S/W	110 MM S/W	145 MM S/W
85 MM S/W	115 MM S/W	150 MM S/W
88 MM S/W	120 MM S/W	155 MM S/W
90 MM S/W	124 MM S/W	160 MM S/W
92 MM S/W	125 MM S/W	165 MM S/W
95 MM S/W	128 MM S/W	200 MM S/W
100 MM S/W	130 MM S/W	



3/8" UNC Heavy Duty Double-Edge Closed-End U Bolt Clamp (Round or Flat U Bolt)

Available in : Zinc Plating, Stainless Steel 304, or Carbon Steel Ungalvanised (coated with oil)
 Pre-assembled with Serrated Flange Nuts

Applications : Exhaust Systems, TV Antennas, Signage Mountings

Double Edge Consolidation provides added safety and strength by restricting the saddle from expanding.

The welded strips eliminate the possibility of having the clamp come off.

Custom Sizes Available on Request

Available Sizes (inch)

3.00"

3.25"

3.50"

4.00"

4.50"

5.00"

5.50"

6.00"



3/8" UNC Heavy Duty Double-Edge Open End U Bolt Clamp (Round or Flat U Bolt)

Available in : Zinc Plating, Stainless Steel 304, or Carbon Steel Ungalvanised (coated with oil)
 Suitable for a wide range of non slotted pipe diameters.

Pre-assembled with Serrated Flange Nuts

Applications : Exhaust Systems, TV Antennas, Signage Mountings

Suitable for Lap Style Joint Connections

Custom Sizes Available on Request

Available Sizes (inch)

3.00"

3.25"

3.50"

4.00"

4.50"

5.00"

5.50"

6.00"



ARS Pipe Clamp (Volvo Exhaust Clamp)

Available in : Zinc Plating, Chrome-Plating, Stainless Steel 304

Bolt : M8 or M10 or M12 Hexagon Head Bolt (depending on diameter)

Pre-assembled with screw, nut, and 2 plain washers

Superior engineering of the clamp band ensures even pressures across the pipe circumference

Single Bolt Closure allows for easy installation.

This clamp offers a secure and reliable connection for pipes that are fitted into one another.

It is also a highly reliable choice for pipes that subject to temperature fluctuations.

Applications : Agricultural Machines, Building Machines, Exhaust Systems, Engine Manufacturing

Technical Data Sheets and Drawings are available upon request.

Available Sizes (mm)				
27MM	49.1MM	67MM	85MM	114MM
30MM	51MM	69MM	87MM	120MM
33MM	54.5MM	70MM	90MM	128MM
36MM	55MM	71MM	94MM	135MM
38MM	56MM	73MM	96MM	142MM
42MM	58MM	74MM	100MM	147MM
45MM	61MM	77MM	104MM	159MM
47MM	63MM	80MM	107MM	
48MM	64MM	83MM	110MM	



Ribbed Saddle U Bolt Clamp

Available in : Zinc Plating, Stainless Steel 304, or Ungalvanised (coated with oil)
 Available in : 3/8" UNC or 5/16" UNC Rolled Thread Round U Bolts
 Pre-assembled with Serrated Flange Nuts
 Applications : Exhaust Systems, TV Antennas, Signage
 This clamp offers a lightweight alternative with outstanding strength and sealability. Available optionally with slotted holes.
 Also available in 11 GA Steel

Custom Sizes Available on Request

Available Sizes (Inch)		
1 1/8"	2.00"	4.00"
1.25"	2 1/8"	5.00"
1 3/8"	2.25"	6.00"
1.50"	2.50"	
1 5/8"	2.75"	
1.75"	3.00"	
1 7/8"	3.50"	



Guillotine Style Muffler Clamp

Available in : Trivalent Zinc Plating, Nickel Chrome-Plating, Stainless Steel 304
 U Bolt : 3/8" UNC Round or 3/8" UNC Flat

Features:

- Superior sealability and versatility

Provides a complete 360 degree heavy duty seal.

Available Sizes (Inch)	
2 in.	3.88 in.
2 1/4 in.	4 in.
2 1/2 in.	4.44 in.
2 3/4 in.	4 1/2 in.
3 in.	5 in.
3 1/4 in.	5 1/2 in.
3 1/2 in.	6 in.



DIN 71555 Clamp

Available in : Zinc Plating, Chrome-Plating, Stainless Steel 304

Bolt : M8 or M10 or M12 DIN603 Carriage Bolt (Depending on Diameter)

Pre-Assembled with Bolt, Nut, and Washer

Applications : Agricultural Machines, Building Machines, Engine Manufacturing

This clamp can also function as a fixing clip.

This clamp offers a secure connection for pipes that are fitted into one another.

Custom Sizes are available upon request.

Available Sizes (mm)		
Size in Ø	Width	Thickness
30.2 MM	20 MM	2 MM
32.2 MM	20 MM	2 MM
35.2 MM	20 MM	2 MM
37.2 MM	20 MM	2 MM
40.3 MM	25 MM	3 MM
42.3 MM	25 MM	3 MM
45.5 MM	25 MM	3 MM
48.5 MM	25 MM	3 MM
50.5 MM	25 MM	3 MM
53.5 MM	25 MM	3 MM
55.5 MM	25 MM	3 MM
58.5 MM	25 MM	3 MM
60.5 MM	25 MM	3 MM
63.5 MM	25 MM	3 MM
65.5 MM	25 MM	3 MM
68.5 MM	25 MM	3 MM
70.5 MM	30 MM	4 MM
73.5 MM	30 MM	4 MM
75.5 MM	30 MM	4 MM
78.5 MM	30 MM	4 MM
80.5 MM	30 MM	4 MM
83.5 MM	30 MM	4 MM
85.5 MM	30 MM	4 MM
90.5 MM	30 MM	4 MM
94.5 MM	30 MM	4 MM
100.5 MM	30 MM	4 MM
102.5 MM	30 MM	4 MM
104.5 MM	30 MM	4 MM
108.5 MM	30 MM	4 MM
110.5 MM	30 MM	4 MM
114.5 MM	30 MM	4 MM
120.5 MM	30 MM	4 MM
124.5 MM	30 MM	4 MM
127.5 MM	30 MM	4 MM
130.5 MM	30 MM	4 MM
134.5 MM	30 MM	4 MM
152.5 MM	30 MM	4 MM
168.5 MM	30 MM	4 MM
220.5 MM	30 MM	4 MM
250.5 MM	30 MM	4 MM
255.5 MM	30 MM	4 MM
273.5 MM	30 MM	4 MM
275.5 MM	30 MM	4 MM
300.5 MM	30 MM	4 MM



SEAL CLAMP

Available in : Zinc Plating, Stainless Steel 304
 Custom Sizes are available upon request.

Available Sizes (inch)		
2 in.	3 1/8 in.	5 in.
2 1/4 in.	3 1/4 in.	6 in.
2 3/8 in.	3 1/2 in.	
2 1/2 in.	4 in.	
2 5/8 in.	4 3/8 in.	
2 3/4 in.	4 1/2 in.	
3 in.	4 3/4 in.	



FLAT CLAMP

Available in : Zinc Plating, Stainless Steel 304
 Custom Sizes are available upon request.

Available Sizes	
50mm	101.6mm
57mm	108mm
60mm	114.3mm
63.5mm	127mm
70mm	138mm
76.2mm	152mm
88.9mm	



Flexible Tight-Seal Clamp / Lap Joint Clamp

Available in : Zinc Plating, Chrome-Plating, Stainless Steel 304

Causes no damaging distortion to pipe or flex. Band is designed for maximum stretch and tight take-up.

The reaction block provides a full 360-degree equal distribution of stretching forces and a complete seal.

A (mm)	A (inch)	B (mm)	B (inch)
50	2	55	2.25
57	2.25	62	2.50
63.5	2.5	67	2.75
70	2.75	75	3.00
76.2	3	81.2	3.25
88.9	3.5	93.6	3.50
100	3.875	105	4.00
101.6	4	106.6	4.00
114.3	4.5	119	4.50
120	4.75	125	4.75
127	5	132	5.00
152	6	158	6.00

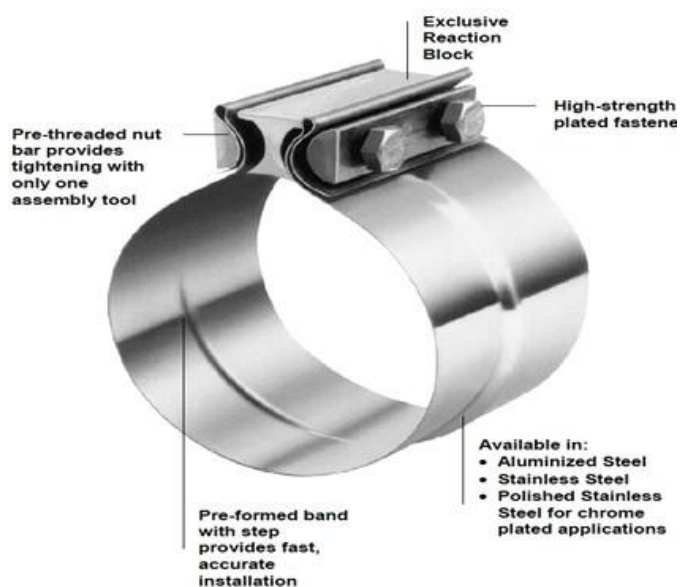
Unitized assembly. NO LOOSE hardware. Slides into place, installs easily and reliably.



The reaction block transfers bolt torque into clamp strength and an assured seal.



The simple, effective way to connect exhaust system components. Replaces U-bolts and clamps.
Exclusive design makes for fast, easy and accurate installation.



RXD Drainage Clamp

Available in: Trivalent Zinc Plating, Stainless Steel 304
 Bolt: Hexagonal Head

Sealing Sleeve - Material: EPDM

Advantages:

- Fast and Easy installation
- Suitable for Repair Purposes

Available Sizes (Pipe Diameter)
65mm
85mm
90mm
115mm
140mm
170mm
220mm
286mm
338mm

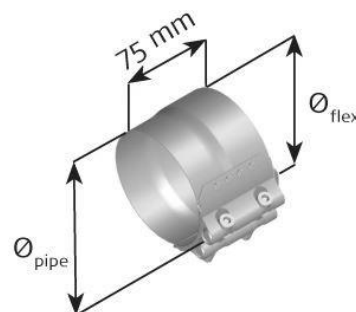


Flexible Fit Clamp Buttfrit

Available in: Trivalent Zinc Plating, Stainless Steel 304
 Bolt: Allen Socket Head (x2)

- Stepped strap accommodates flexible pipe for fast, accurate, and easy installation.
- Strong, reliable, lightweight, and flexible.
- Cylindrical trunnions allow the screws to self-center to optimise performance.
- Tolerates flex-variations of 2mm on diameter and clamps can be re-tightened.
- Maximum recommended torque = 25 Nm
- Stepping bridge provides a 360 degree force distribution.

A (mm)	A (inch)	B (mm)	B (inch)
50	2	55	2.25
57	2.25	62	2.50
63.5	2.5	67	2.75
70	2.75	75	3.00
76.2	3	81.2	3.25
88.9	3.5	93.6	3.50
100	3.875	105	4.00
101.6	4	106.6	4.00
114.3	4.5	119	4.50
120	4.75	125	4.75
127	5	132	5.00
152	6	158.0	6.00



INVICTA T-Bolt Hose Clamp

Available in: Trivalent Zinc Plating, Nickel Chrome-Plating, Stainless Steel 304, Stainless Steel 316

Bolt: T Bolt Grade 8.8, Sheet Thickness : 0.6mm or 1.5mm, Band Width : 20mm (¾")

Custom Sizes available

This high strength clamp is designed for industrial, marine and vehicle applications.

T-bolt clamps provide higher tensile strength, durability, and corrosion resistance than typical worm clamps.

I.D. Min (in)	I.D. Max (in)	I.D. Min (mm)	I.D. Max (mm)
1.38	1.57	35.1	39.9
1.5	1.69	38.1	42.9
1.63	1.88	41.3	47.8
1.75	2	44.5	50.8
1.88	2.19	47.6	55.6
2	2.31	50.8	58.7
2.13	2.44	54.1	62
2.25	2.56	57.2	65
2.38	2.69	60.3	68.3
2.5	2.81	63.5	71.4
2.63	2.94	66.7	74.7
2.75	3.06	69.9	77.7
2.88	3.19	73	81
3	3.31	76.2	84.1
3.13	3.44	79.4	87.4
3.25	3.56	82.6	90.4
3.38	3.69	85.7	93.7
3.5	3.81	88.9	96.8
3.63	3.94	92.1	100.1
3.75	4.06	95.3	103.1
4	4.31	101.6	109.5
4.25	4.56	108	115.8
4.5	4.81	114.3	122.2
4.75	5.06	120.7	128.5
5	5.31	127	134.9
5.25	5.56	133.4	141.2
5.5	5.81	139.7	147.6
5.75	6.06	146.1	153.9
6	6.31	152.4	160.3
6.25	6.56	158.8	166.6
6.5	6.81	165.1	173
6.75	7.06	171.5	179.3
7	7.31	177.8	185.7
7.25	7.56	184.2	192
7.5	7.81	190.5	198.4
7.75	8.06	196.9	204.7
8	8.31	203.2	211.1
8.25	8.56	209.6	217.4
8.5	8.81	215.9	223.8



V-Band Clamp (Quick Connect)

Available in: Zinc Plating, Stainless Steel 304, Stainless Steel 316, Stainless Steel 430

Applications : Engines, Aerospace, Turbochargers, Petrochemicals, Exhaust Systems, Communications

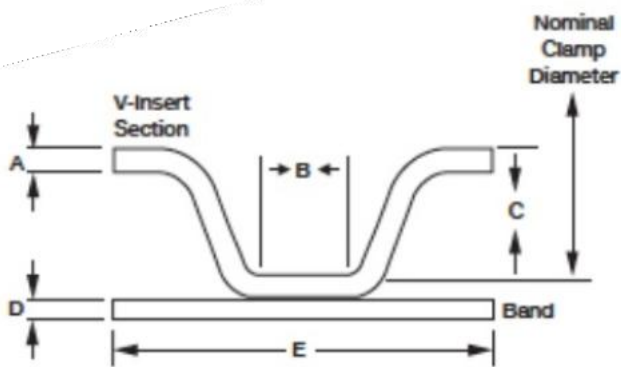
V-Band Clamps provide fast and secure coupling for connecting flanged joints.

These V-Band clamps feature high strength and positive sealing integrity.

Bolt: Socket-Head (Standard) or Socket-Head (Quick-Latch)

40-Degree Insert Angle | Welded Band Construction | 2 or 3 Inserts | Multiple V-Profiles

Custom Designs and Sizes available



Nominal Diameter	A Insert Thickness	B Apex Width	C Insert Depth	D Band Thickness	E Band Width
44.5	1.27	6.65	3.58	0.63	15.87
80	1.27	6.65	3.58	0.88	19.05
81.5	1.27	6.65	3.58	0.88	19.05
85.9	1.95	5.25	7.13	1.01	22.22
97	1.95	5.25	7.13	1.01	22.22
97	1.95	5.25	7.13	1.27	22.22
98.6	1.27	10.16	7.13	1.01	22.22
100.6	1.95	5.25	7.13	1.57	22.22
102.6	1.27	6.25	3.58	0.88	19.05
108	1.27	10.16	7.13	1.01	22.22
109.5	1.95	5.25	7.13	1.01	22.22
114.3	1.27	6.65	3.58	0.88	19.05
117.1	1.27	3.96	7.13	0.88	19.05
120.7	1.27	10.16	7.13	1.01	22.22
122.2	1.95	5.25	7.13	1.01	22.22
133.4	1.27	6.65	3.58	0.88	19.05
147.6	1.27	5.25	7.13	1.57	22.22
149.4	1.27	10.16	7.13	1.01	22.22
149.9	1.27	6.65	3.58	0.88	19.05
152.4	1.27	3.96	7.13	0.88	19.05
242.8	1.27	13.46	5.46	0.88	19.05
242.8	1.27	13.97	7.13	0.88	19.05
271.5	1.27	5.25	7.13	1.57	22.22

MINI CLAMP Jaw Fastening Clamp (DIN 3016-2, DIN 3017-2)

Available in: Trivalent Zinc Plating, Stainless Steel 304
 Bolt: Allen Socket Head
 Pre-Assembled with bolt, nut and washer
 Suitable for small thin walled hoses.
 Clamp secured nut.



Available Sizes (mm)

29-31	56-59	92-97	149-161
32-35	60-63	98-103	162-174
36-39	64-67	104-112	175-187
40-43	68-73	113-121	188-200
44-47	74-79	122-130	201-213
48-51	80-85	131-139	
52-55	86-91	140-148	



Flexible Fit Clamp Standard

Available in : Trivalent Zinc Plating, Stainless Steel 304

A (mm)	A (inch)	B (mm)	B (inch)
50	2	55	2.25
57	2.25	62	2.50
63.5	2.5	67	2.75
70	2.75	75	3.00
76.2	3	81.2	3.25
88.9	3.5	93.6	3.50
100	3.875	105	4.00
101.6	4	106.6	4.00
114.3	4.5	119	4.50
120	4.75	125	4.75
127	5	132	5.00
152	6	158	6.00



Clamp Collar Hook for Swings (Round)

Band schommelhaken | Manschettenhaken | Crochets avec bande de tension
 Available in : Carbon Steel with Zinc Plating

Available Sizes (mm)	Thickness (mm)
50mm	2mm
50mm	2.5mm
70mm	2.5mm
80mm	2mm
80mm	2.5mm
80mm	3mm
80mm	4mm
90mm	2.5mm
90mm	3mm
97mm	3mm
97mm	4mm
100mm	3mm
120mm	3mm



Clamp Collar Hook for Swings (Round)

Band schommelhaken | Manschettenhaken | Crochets avec bande de tension
 Available in : Carbon Steel with Zinc Plating
 Width = 35mm

Available Sizes (mm)	Thickness (mm)
45x70mm	3mm
70x70mm	2.5mm
90x90mm	2.5mm



DTS Series Circular Band Clamp

Available in: Trivalent Zinc Plating, Stainless Steel 304, Black Powder Coating

Bent or Straight Bolt options available

Available Sizes	(inch)
2 in.	4.00 in.
2.13 in.	4.25 in.
2.25 in.	4.50 in.
2.50 in.	5.00 in.
2.75 in.	5.50 in.
3.00 in.	6.00 in.
3.25 in.	7.00 in.
3.50 in.	8.00 in.
3.88 in.	



HeavyDutyClamp(VAGExhaustClamp)

Available in: Zinc Plating, Stainless Steel 304

Bolt: 8x50 or 10x55 or 12x40 DIN603 Carriage Bolt 8.8

Pre-assembled with DIN603 Bolt, DIN125 spring-washer, and DIN934 hexagonal-nut

Available in 2 designs

Available Sizes (mm)

23.5mm	51.5mm	64.5mm	100.5mm
28.5mm	52.5mm	65.5mm	104.5mm
32.5mm	53.5mm	68.5mm	107.5mm
38.5mm	54.5mm	70.5mm	110.5mm
41.5mm	55.5mm	73.5mm	114.5mm
42.5mm	56.5mm	75.5mm	120.5mm
44.5mm	57.5mm	78.5mm	124.5mm
45.5mm	58.5mm	80.5mm	127.5mm
46.7mm	59.5mm	85.5mm	130.5mm
48.5mm	60.5mm	89.5mm	133.5mm
49.5mm	62.5mm	90.5mm	
50.5mm	63.5mm	94.5mm	



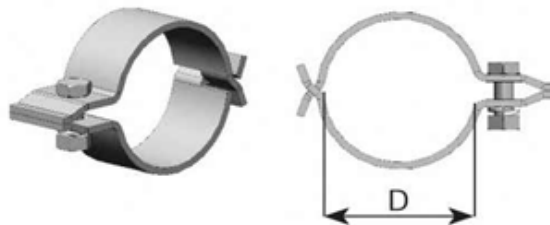
Hinge Clamp

Available in: Zinc Plating (Mild Steel ST-37)

Bolt: DIN603 (M8 or M10 or M12 depending on diameter)

Pre-assembled with nut and washer

Available Sizes	(mm)
53.5mm	85.5mm
55.5mm	90.5mm
58.5mm	94.5mm
60.5mm	100.5mm
63.5mm	104.5mm
65.5mm	110.5mm
68.5mm	114.5mm
70.5mm	120.5mm
73.5mm	124.5mm
75.5mm	127.5mm
78.5mm	130.5mm
80.5mm	



Worm Drive Hose Clamp (in accordance with DIN3017-1)

Available in: Zinc Plating (Mild Steel), Stainless Steel 304, Stainless Steel 316 (W1/W2/W3/W4/W5)
 Applications: Automotive, Irrigation, General Purpose, Marine, Industrial, Oil Lines, Construction
 Bolt: Hexagonal Head with screwdriver slot

Additional diameters available on request up to 710mm
 Smooth or stamped inside of band is designed to prevent hose damage (non-perforated)
 Low free torque for easy installation. Torque Tables available on request.
 Technically advanced design for superior sealing.
 Short housing saddles provides even distribution of clamping pressure.

Clamping Range (mm)	Width (mm)
8 - 12	7.5
10 - 16	7.5
12 - 18	7.5
12 - 22	7.5
16 - 27	7.5
8 - 12	9
8 - 16	9
12 - 22	9
16 - 27	9
20 - 32	9
23 - 35	9
25 - 40	9
30 - 45	9
35 - 50	9
40 - 60	9
50 - 70	9
60 - 80	9
70 - 90	9
80 - 100	9
90 - 110	9
100 - 120	9
110 - 130	9
120 - 140	9
130 - 150	9
140 - 160	9
16 - 27	12
20 - 32	12
23 - 35	12
25 - 40	12
30 - 45	12
35 - 50	12
40 - 60	12
50 - 70	12
60 - 80	12
70 - 90	12
80 - 100	12
90 - 110	12
100 - 120	12
110 - 130	12
120 - 140	12
130 - 150	12
140 - 160	12



- 1 Improved asymmetric housing**
– even distribution of forces and safe assembly
- 2 Screw support**
– ease of assembly due to the safe guidance of the emerging band end
- 3 Material and clamping range stamped on the band**
– prevention of errors
- 4 Asymmetric extension**
– prevents the housing from tilting over when the clamp is tightened
- 5 Short housing saddle**
– even contact pressure
– improved efficiency
- 6 Smooth or stamped inside of band**
– optimal hose protection

Constant Torque Worm Drive Clamp

Available in: SS 304 Band with SS 410 Screw
 Band Width: 14.2mm or 15.8 mm

Available Size (mm)	
24 - 45	108 - 130
21 - 38	121 - 143
21 - 45	133 - 156
27 - 51	146 - 168
32 - 54	159 - 181
45 - 67	171 - 194
57 - 79	184 - 206
70 - 92	197 - 219
83 - 105	210 - 232
95 - 117	



Mini Hose Clamp

Available in: Trivalent Zinc Plating, Stainless Steel 201 or 304 (W1 / W2 / W3 / W4)
 Band Width: 8mm

Available Size (mm)	
6 - 16	7/32 - 5/8
8 - 22	-
11 - 20	7/16 - 25/32
14 - 27	9/16 - 1 1/16



Tight Fit Clamp

Available in: Zinc Plating (Mild Carbon Steel), Stainless 304, Stainless Steel 316,
Nickel-Chrome Plating

Bolt: Socket Head (Quick-Latch Hook-In)

Pre-assembled with bolt and cylindrical trunnions.

No loose parts, and no need to separate pipes before clamping.

Designed to connect exhaust pipes with slotted ends.

Strong, reliable, lightweight, and flexible.

Spot Welds eliminate the risk of fatigue failure.

Cylindrical Trunnions allow the screw to self-centre.

Design can tolerate variations in diameter of +/- 2mm

No sharp burrs.

Size (mm)	Size (inch)
51 - 54	2
54 - 57	2 ¼
60 - 63	2.375
64 - 67	2 ½
66 - 69	2 ⅝
71 - 74	2 ¾
78 - 81	3
81 - 84	3 ⅛
86 - 89	3 ⅓
90 - 93	3 ½
91 - 94	3 ½
101 - 105	4
102 - 106	4
111 - 116	4 3/8
115 - 119	4 ½
122 - 127	4 ¾
128 - 132	5
153 - 158	6



Pipe Fit Clamp

Available in: Zinc Plating, Stainless Steel 304, Stainless Steel 316

Bolt: Socket Head

Pre-assembled with bolt and two barrel nuts.

Band Width : 35mm

Size (mm)	Size (inch)
51 - 54	2
54 - 57	2 ¼
60 - 63	2.375
64 - 67	2 ½
66 - 69	2 ⅝
71 - 74	2 ¾
78 - 81	3
81 - 84	3 ⅛
86 - 89	3 ⅓
90 - 93	3 ½
91 - 94	3 ½
101 - 105	4
102 - 106	4
111 - 116	4 ⅜
115 - 119	4 ½
122 - 127	4 ¾
128 - 132	5
153 - 158	6



Double Wire Clamp

Available in : Trivalent Zinc Plating

Bolt : Phillips Socket Head

Highly suited to soft and semi-rigid hoses, with spiral or braided reinforcement.

Applications : Agricultural, Irrigation, Automotive, General Industry, HVAC

Available Sizes (mm)		
9.5 - 12	41 - 46	120 - 128
10.5 - 13	43.5 - 49	124 - 132
11.5 - 14	46.5 - 53	125 - 140
12.5 - 15	50.5 - 56	134 - 150
13 - 16	53.5 - 60	145 - 160
13.5 - 17	56.5 - 64	150 - 165
15 - 18	60 - 68	155 - 170
15.5 - 19	64 - 72	165 - 180
17 - 20	68.5 - 76	175 - 190
17.5 - 21	72.5 - 80	
18.5 - 22	76.5 - 84	
19 - 23	80 - 88	
21.5 - 25.5	84 - 92	
23.5 - 27	88 - 96	
25 - 29	92 - 100	
27 - 31	95 - 104	
29 - 33	98 - 108	
30.5 - 35	103 - 112	
33 - 37	109 - 116	
35.5 - 40.5	111 - 120	
38.5 - 43	115 - 124	



Double Ear Clamp

Available in : Trivalent Zinc Plating

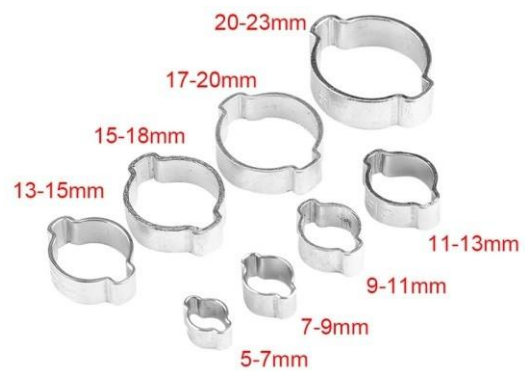
Suitable for use on compressed air, liquid, and gas lines

A simple and economical situation for many difficult tightening and sealing problems

The ear is clamp is passed over the material that is to be mounted and then squeezed together with pliers

Available Sizes (mm)

24 - 45	95 - 117
21 - 38	108 - 130
21 - 45	121 - 143
27 - 51	133 - 156
32 - 54	146 - 168
45 - 67	159 - 181
57 - 79	171 - 194
70 - 92	184 - 206
83 - 105	197 - 219



RSS Clamp

Available in: Trivalent Zinc Plating, Stainless Steel 304

Available Sizes (mm)

40 - 43	72 - 76	149 - 161
44 - 47	80 - 85	162 - 174
48 - 51	86 - 91	175 - 187
52 - 55	92 - 97	188 - 200
56 - 59	98 - 103	201 - 213
58 - 61	104 - 112	214 - 226
60 - 63	113 - 121	227 - 239
64 - 67	122 - 130	260 - 270
68 - 73	140 - 148	313 - 323
74 - 79	131 - 139	320 - 330



FLAT CLAMPBUTTFIT

Available in: Trivalent Zinc Plating, Stainless Steel 304

Designed to connect exhaust pipes end-to-end.

Strong, reliable, lightweight, and flexible.

No need to separate pipes before clamping.

Simply torque the socket cap screws for fast assembly.

Available for pipe sizes from 50.8 to 152.0mm.

Maximum Recommended Torque = 25Nm

75mm wide strap allows for fast, accurate, and easy installation.

Bridging Seal helps provide a 360-degree seal.

Cylindrical Trunnions allow the screw to self-centre.

Spot welds insure against fatigue failures.

Size (mm)	Size (inch)
50.8	2
57	2 ¼
60.3	2 ½
63.5	2 ½
69.9	2 ¾
76.2	3
88.9	3 ½
101.6	4
108	4 ½
114.3	4 ½
127	5
140	5 ½
152	6



FLAT SEAL CLAMP COUPLER/BUTT JOINT CLAMP

Available in: Trivalent Zinc Plating, Stainless Steel 304, Stainless Steel 409
 Provides joint serviceability
 Does not require pipe overlap
 Pre-assembled - easy installation
 Unique sealing performance
 Superior clamp load capability

Size (mm)	Size (inch)
50.8	2
57	2 ¼
60.3	2 ½
63.5	2 ½
69.9	2 ¾
76.2	3
88.9	3 ½
101.6	4
108	4 ½
114.3	4 ½
127	5
140	5 ½
152	6



BALL ZONE EXHAUST GAS CLAMP

Available in: Trivalent Zinc Plating, Stainless Steel 304

The Ball Zone Exhaust Gas Clamps are the ideal solution when it comes to making connections in central and rear exhaust gas areas. When used in conjunction with flange joints, it is possible to swivel silencers during installation.

Applications: Agricultural Machines, Building Machines, Engine Manufacturing

ADVANTAGES :

1. Angle Compensation in Exhaust Gas System
2. Silencers can be swiveled during installation
3. Easier installation and removal
4. Higher Torsion moments than conventional ball shaped flange connections
5. Low Leakage
6. Low Weight

Available Sizes

55mm - 65mm (2 3/16")
60mm - 69.5mm (2 3/8")
65mm - 75mm (2 9/16")
70mm - 81.5mm (2 3/4")



CIRCLE CLAMP

Available in: Trivalent Zinc Plating (9 micron min.)

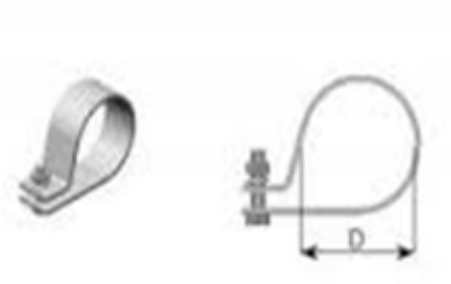
Available Sizes
76mm - 82mm (3")
83mm - 94mm (3 ½ ")
95mm - 107mm (4")
108mm - 114mm (4 ¼ ")
115mm - 119mm (4 ½ ")
120mm - 132mm (5")
142mm - 154mm (6")



P-Type Pipe Clamps

Available in: Trivalent Zinc Plating, Stainless Steel 304

Available Sizes (D)
60mm (2 ¾")
75mm (3")
80mm (3 ⅛")
90mm (3 ⅓")
110mm (4 ⅜")
120mm (4 ¾")



Spring-Loaded T-Bolt Clamp

Available in: Trivalent Zinc Plating, Stainless Steel 304 (W1 / W2 / W3/ W4)

Band Width: 19mm



Size (mm)	Size (inch)
57 - 65	2 ¼ - 2 9/16
60 - 68	2 ⅜ - 2 11/16
64 - 71	2 ½ - 2 13/16
67 - 75	2 ⅝ - 2 15/16
67 - 78	2 ¾ - 3 1/16
73 - 81	2 ⅞ - 3 3/16
76 - 84	3 - 3 5/16
78 - 86	3 1/16 - 3 3/8
79 - 87	3 ⅛ - 3 7/16
83 - 91	3 ¼ - 3 9/16
86 - 94	3 ⅜ - 3 11/16
89 - 97	3 ½ - 3 13/16
90 - 98	3 9/16 - 3 ⅞
92 - 100	3 ⅝ - 3 15/16
95 - 103	3 ¾ - 4 1/16
102 - 110	4 - 4 5/16
103 - 111	4 1/16 - 4 ⅜
105 - 113	4 ⅛ - 4 7/16
108 - 116	4 ¼ - 4 9/16
114 - 122	4 ½ - 4 13/16
116 - 124	4 9/16 - 4 ⅞
121 - 129	4 ¾ - 5 1/16
127 - 135	5 - 5 5/16

Lined Hose Clamp

Available in: Trivalent Zinc Plating, Stainless Steel 201 or 304 (W1 / W2 / W3 / W4)
 Band Width: 12.7mm

Size (mm)	Size (inch)
11 - 20	7/16 - 25/32
13 - 23	1/2 - 29/32
14 - 27	9/16 - 1 1/16
17 - 32	11/16 - 1 1/4
21 - 38	13/16 - 1 1/2
21 - 44	13/16 - 1 3/4
27 - 51	1 1/16 - 2
33 - 57	1 5/16 - 2 1/4
40 - 64	1 9/16 - 2 1/2
46 - 70	1 13/16 - 2 3/4
52 - 76	2 1/16 - 3
59 - 83	2 5/16 - 3 1/4
65 - 89	2 9/16 - 3 1/2
71 - 95	2 13/16 - 3 3/4
78 - 102	3 1/16 - 4
84 - 108	3 5/16 - 4 1/4
91 - 114	3 9/16 - 4 1/2
48 - 127	1 ? - 5
64 - 140	2 1/2 - 5 1/2
79 - 152	3 ? - 6
92 - 165	3 ? - 6 1/2
105 - 178	4 ? - 7



Spring Steel Wire Hose Clamp

Available in: Trivalent Zinc Plating, Stainless Steel 201 or 304

Diameter (mm)	Width (mm)	Thickness (mm)
4	6	0.4
5	6	0.6
6	6	0.6
7	6	0.6
8	8	0.8
9	8	0.8
9.5	8	0.8
10	8	0.8
10.5	8	0.8
11	8	0.8
11.5	8	0.8
12.5	8	0.8
13	10	1
13.5	10	1
14	10	1
14.5	10	1
15	10	1
16	12	1
17	12	1
18	12	1
19	12	1
20	12	1
21	12	1
23	12	1.2
24	12	1.2
25	12	1.2
26	12	1.2
27	15	1.5
28	15	1.5
29	15	1.5
30	15	1.5
33	15	1.8
35	15	1.8
36	15	1.8
39	15	1.8
42	15	1.8
44	15	1.8
45	15	1.8
47	15	2
52	15	2
60	15	2.5



P-Clips (in accordance with DIN3016)

Available in: Zinc Plating, Stainless Steel 304 (1.4301)

Applications : Machines, White Goods, Irrigation Systems, Chemical Industry, Ship Manufacturing, Pumps

Advantages : Easy Installation, Reinforced Band Ends for extremely high mechanical loads

MATERIAL REPORT	
Material characteristics:	EPDM Profile
Colour	Black
Shore hardness A	64-65
Tensile strength	Minimum 8 N/mm
Temperature	-40°C up to 120°C
Breaking resistance	64-65 Kg/cm
Elongation at break (%)	315-335
Resistance against weather	Very good
Resistance against ozone	Very good
Resistance against oil/grease	Good
Resistance against petrol	Good
Resistance against acid	Good



Diam.	Band Width mm	Hole mm
5	12	5,3
6	12	5,3
7	12	5,3
8	12	5,3
9	12	5,3
10	12	5,3
11	12	5,3
12	12	5,3
13	12	5,3
14	12	5,3
15	12	5,3
16	12	5,3
17	12	5,3
18	12	5,3
19	12	5,3
20	12	5,3
21	12	5,3
22	12	5,3
23	12	5,3
24	12	5,3
25	12	5,3

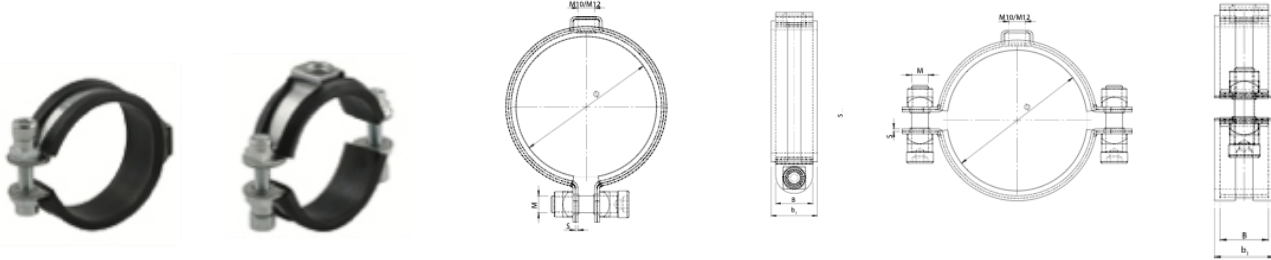
Diam.	Band Width mm	Hole mm
5	15	6,4
6	15	6,4
7	15	6,4
8	15	6,4
9	15	6,4
10	15	6,4
11	15	6,4
12	15	6,4
13	15	6,4
14	15	6,4
15	15	6,4
16	15	6,4
17	15	6,4
18	15	6,4
19	15	6,4
20	15	6,4
21	15	6,4
22	15	6,4
23	15	6,4
24	15	6,4
25	15	6,4
26	15	6,4
27	15	6,4
28	15	6,4
29	15	6,4
30	15	6,4
31	15	6,4
32	15	6,4
33	15	6,4
34	15	6,4
35	15	6,4
36	15	6,4
37	15	6,4
38	15	6,4
39	15	6,4
40	15	6,4

Diam.	Band Width mm	Hole mm
5	20	8,4
6	20	8,4
7	20	8,4
8	20	8,4
9	20	8,4
10	20	8,4
11	20	8,4
12	20	8,4
13	20	8,4
14	20	8,4
15	20	8,4
16	20	8,4
17	20	8,4
18	20	8,4
19	20	8,4
20	20	8,4
21	20	8,4
22	20	8,4
23	20	8,4
24	20	8,4
25	20	8,4
26	20	8,4
27	20	8,4
28	20	8,4
29	20	8,4
30	20	8,4
31	20	8,4
32	20	8,4
33	20	8,4
34	20	8,4
35	20	8,4
36	20	8,4
37	20	8,4
38	20	8,4
39	20	8,4
40	20	8,4
41	20	8,4
42	20	8,4
43	20	8,4
44	20	8,4
45	20	8,4
46	20	8,4
47	20	8,4
48	20	8,4
49	20	8,4
50	20	8,4

Diam.	Band Width mm	Hole mm
20	25	10,4
22	25	10,4
25	25	10,4
28	25	10,4
30	25	10,4
32	25	10,4
35	25	10,4
38	25	10,4
40	25	10,4
41	25	10,4
42	25	10,4
45	25	10,4
48	25	10,4
50	25	10,4
52	25	10,4
55	25	10,4
56	25	10,4
58	25	10,4
60	25	10,4
62	25	10,4
65	25	10,4
68	25	10,4
70	25	10,4
74	25	10,4
76	25	10,4
80	25	10,4
85	25	10,4
90	25	10,4
100	25	10,4
110	25	10,4
120	25	10,4
130	25	10,4
140	25	10,4
150	25	10,4

DIN4109 Split Clamp

Available in: Zinc Plating, Stainless Steel 304 (1.4301)



A available Sizes (mm)	Width / Thickness
14 - 18	25 x 2.0
19 - 23	25 x 2.0
24 - 28	30 x 2.5
29 - 33	30 x 2.5
33 - 37	30 x 2.5
40 - 45	30 x 2.5
47 - 52	30 x 2.5
53 - 58	30 x 2.5
60 - 65	30 x 2.5
67 - 72	30 x 3.0
73 - 78	30 x 3.0
79 - 85	30 x 3.0
88 - 93	30 x 3.0
100 - 106	30 x 3.0
108 - 115	30 x 3.0
124 - 129	40 x 4.0
131 - 137	40 x 4.0
138 - 144	40 x 4.0
148 - 154	40 x 4.0
156 - 162	40 x 4.0
165 - 171	40 x 4.0
177 - 183	40 x 4.0
188 - 194	40 x 4.0
196 - 203	40 x 4.0
205 - 214	40 x 4.0
219 - 225	40 x 4.0
244 - 250	40 x 4.0
267 - 273	40 x 4.0
278 - 284	40 x 4.0
299 - 305	40 x 4.0
307 - 318	40 x 4.0



Cotter Pin Hose Clamp 5mm and 9mm

Available in: Zinc Plating, Stainless Steel 304 (1.4301)

Suitable for less demanding applications such as attaching signs and sealing low-pressure hoses. Can be re-used.

Required tools: Steel pin, angled screwdriver or pliers, plate shears



Heat Shield Clamp

Available in: Trivalent Zinc Plating, Stainless Steel 304

Available Sizes (D)

76.2mm

88.9mm

101.6mm

114.3mm

127mm

184mm

206mm

250mm

265mm

284mm

300mm



Thumb Turn Screw Worm Drive Hose Clamp

Available in : Zinc Plating, Stainless Steel 202, Stainless Steel 304, Stainless Steel 316

A available Sizes (mm)	Width x Thickness
12-20	9/12x0.6
16 - 25	9/12x0.6
20 - 32	9/12x0.6
25 - 40	9/12x0.6
32 - 50	9/12x0.6
40 - 60	9/12x0.6
50 - 70	9/12x0.6
60 - 80	9/12x0.6
70 - 90	9/12x0.6
80 - 100	9/12x0.6
90 - 110	9/12x0.6
100 - 120	9/12x0.6
110 - 130	9/12x0.6
120 - 140	9/12x0.6
130 - 150	9/12x0.6
140 - 160	9/12x0.6
150 - 170	9/12x0.6
160 - 180	9/12x0.6
170 - 190	9/12x0.6
180 - 200	9/12x0.6
190 - 210	9/12x0.6
200 - 220	9/12x0.6
210 - 230	9/12x0.6



Single Ear Clip

Available in : W1 Zinc Plating, Stainless Steel 202, Stainless Steel 304, Stainless Steel 316

A vailable Sizes (mm)	Width x Thickness	A vailable Sizes (mm)	Width x Thickness
6.5	5x0.5	22.6	7x0.6
7.0	5x0.5	24.1	7x0.6
8.0	5x0.5	25	7x0.6
8.7	5x0.5	25.6	7x0.6
9.5	5x0.5	26	7x0.6
10.5	5x0.5	27.1	7x0.6
11.8	5x0.5	28.6	7x0.6
11.9	7x0.6	31.6	7x0.6
12.3	7x0.6	34.6	7x0.6
12.8	7x0.6	37.6	7x0.6
13.3	7x0.6	39.6	7x0.6
14.0	7x0.6	42.5	7x0.6
14.5	7x0.6	48.5	7x0.6
15.3	7x0.6	56	7x0.6
15.7	7x0.6	68	7x0.6
16.2	7x0.6	71	7x0.6
17.0	7x0.6	84	7x0.6
17.5	7x0.6	92.5	7x0.6
18.5	7x0.6		
19.2	7x0.6		
19.8	7x0.6		
21.0	7x0.6		



Quick Release Worm Drive Hose Clamp

Available in : Zinc Plating, Stainless Steel 202, Stainless Steel 304, Stainless Steel 316

A available Sizes (mm)	Width x Thickness
12-20	9/12x0.6
16 - 25	9/12x0.6
20 - 32	9/12x0.6
25 - 40	9/12x0.6
32 - 50	9/12x0.6
40 - 60	9/12x0.6
50 - 70	9/12x0.6
60 - 80	9/12x0.6
70 - 90	9/12x0.6
80 - 100	9/12x0.6
90 - 110	9/12x0.6
100 - 120	9/12x0.6
110 - 130	9/12x0.6
120 - 140	9/12x0.6
130 - 150	9/12x0.6
140 - 160	9/12x0.6
150 - 170	9/12x0.6
160 - 180	9/12x0.6
170 - 190	9/12x0.6
180 - 200	9/12x0.6
190 - 210	9/12x0.6
200 - 220	9/12x0.6
210 - 230	9/12x0.6



Spring Insert Worm Drive Hose Clamp

Available in : Zinc Plating, Stainless Steel 202, Stainless Steel 304, Stainless Steel 316

A available Sizes (mm)	Width x Thickness
12-20	9/12x0.6
16 - 25	9/12x0.6
20 - 32	9/12x0.6
25 - 40	9/12x0.6
32 - 50	9/12x0.6
40 - 60	9/12x0.6
50 - 70	9/12x0.6
60 - 80	9/12x0.6
70 - 90	9/12x0.6
80 - 100	9/12x0.6
90 - 110	9/12x0.6
100 - 120	9/12x0.6
110 - 130	9/12x0.6
120 - 140	9/12x0.6
130 - 150	9/12x0.6
140 - 160	9/12x0.6
150 - 170	9/12x0.6
160 - 180	9/12x0.6
170 - 190	9/12x0.6
180 - 200	9/12x0.6
190 - 210	9/12x0.6
200 - 220	9/12x0.6
210 - 230	9/12x0.6



PSA Exhaust Clamps (Peugeot/Citroen/Renault Applications)

Available in : Trivalent Zinc Plating (Mild Steel)

The PSA clamp has been designed to ensure tight connections between biconical-ended pipes and flared spigots on exhaust and engine outlet systems.

The V-shaped band provides great axial strength while maintaining the clamp's pivot effect. The PSA clamp is very resistant to corrosion, high temperatures, vibration and shock.

Available Sizes

49mm

54mm

59mm

62mm

67mm

70mm

73mm

77mm

80mm

90mm



Mercedes Exhaust Clamps

Available in: Trivalent Zinc Plating, Stainless Steel 304

Available Sizes

75mm

91mm

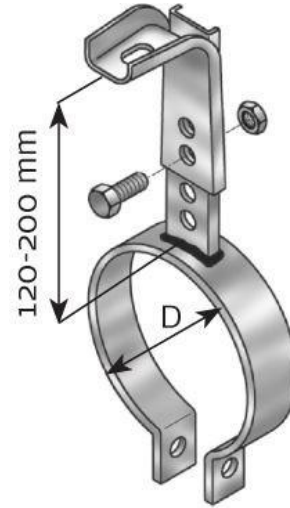
107mm



Adjustable Exhaust Clamp

Available In : Zinc Plating, Stainless Steel 304

Available Sizes (D)
60.0mm (2 3/8")
76.2mm (3")
88.9mm (3 1/2 ")
101.6mm (4")
108mm (4 1/4 ")
114.3mm (4 1/2")
127mm (5")
155mm (6")
184mm (7")
206mm (8")
249mm (10")
260mm (10 1/4")
284mm (11")
300m (11 3/4")
320mm (12")



Silencer Straps

Available in: Zinc Plating, Stainless Steel 304

Available Sizes (D)
155mm (6")
178mm (7")
184mm (7 1/4")
206mm (8")
228mm (9")
254mm (10")
284mm (11")
300mm (12")
380mm (15")



D-TYPE Exhaust Clamps (Mercedes / Iveco Applications)

Available in : Zinc Plating (Mild Steel)

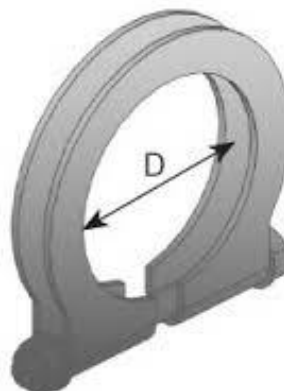
Clamping Range (D)
42mm
46mm
49mm
59.5mm - 62.5mm (2 3/8")
63mm - 66mm (2 1/2")
65mm - 68mm (2 1/2")
67mm - 70mm (2 3/4")
74mm - 77mm (3")
76mm - 79mm (3")
80mm - 83mm (3 ?")
87.5mm - 90.5mm (3 1/2")
92mm - 96mm (3 3/4")
97mm - 100mm (4")
104mm - 107mm (4")



C-TYPE Exhaust Clamps (Mercedes / Iveco Applications)

Available in: Trivalent Zinc Plating, Stainless Steel 304

Clamping Range (D)
38mm
45mm
48mm
54mm
65mm
102mm - 105mm (4")
106mm - 110mm (4 3/8")
114mm - 118m (4 1/2")
118mm - 122mm (4 3/4")
128mm - 132mm (5")
131mm - 135 (5 1/4")
146mm - 151mm (5 3/4")



Citroen Exhaust Clamp

Available In : Zinc Plating, Stainless Steel 304

Available Sizes (D)
35mm
47mm
49mm
53mm
58mm
66mm
69mm



Renault Exhaust Clamp

Available in: Zinc Plating, Stainless Steel 304

Available Sizes (D)
47mm
49mm
53mm
58mm
62mm
66mm
69mm
72mm
79-80mm



DAF U-Bolt Clamp

Available In : Zinc Plating, Stainless Steel 304

Diameter (D)	U-Bolt Height	Thread Length
72mm	120mm	40mm
84mm	130mm	40mm
92mm	140mm	40mm
96mm	145mm	40mm
98mm	150mm	40mm
105mm	195mm	40mm
109mm	160mm	40mm
120mm	170mm	40mm
130mm	185mm	60mm
142mm	195mm	40mm
155mm	205mm	40mm
165mm	220mm	55mm



M10 Ford Exhaust Clamp

Available in: Zinc Plating

Pre-Assembled with DIN980 Self-Locking Copper Nuts or DIN934 Nuts and DIN125 Washers

Avai	able	Size s (mm)
32mm	48mm	60mm
35mm	49mm	61mm
36mm	50mm	62mm
38mm	51mm	63mm
40mm	52mm	64mm
41mm	53mm	66mm
42mm	54mm	67mm
43mm	55mm	69mm
44mm	56mm	
45mm	57mm	
46mm	58mm	



Heavy-Duty Hose Clamp (Double Band)

Available in : Zinc Plating, Chrome-Plating, Stainless Steel 304, Stainless Steel 316, Stainless Steel 409

Bolt : M6 Allen Socket Cap Screw (8.8 or 12.9 grade)

Strap Width : 20mm

Maximum Torque 30 in.-lbs.

With two layers of steel bands, this clamp offers great strength and forms a leak free vacuum.

Improves safety by minimizing parts that protrude after installation.

Excellent product performance and attractive appearance,

Features solid trunnions, bridge, and strong band.

Perfect for tight, hard-to-access spaces

Custom sizes are available on request.

Available optionally in a single-band as a low-cost economic alternative.

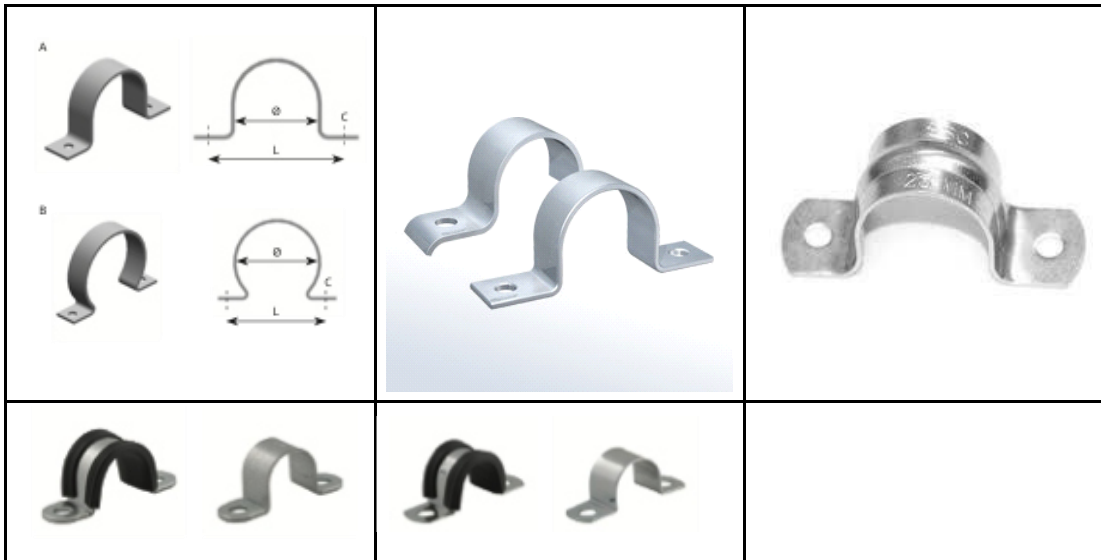
Available optionally as an extra heavy-duty clamp with 25mm width double-band and M8 Allen Socket Bolt.

Extra heavy-duty clamp is available only for sizes 90mm and above.

Ø D	Thickness
35mm	1.5mm
40mm	1.5mm
46mm	1.5mm
50mm	1.5mm
55mm	1.5mm
60mm	1.5mm
65mm	1.5mm
70mm	1.5mm
72mm	1.5mm
75mm	1.5mm
80mm	1.5mm
82mm	1.5mm
85mm	1.5mm
90mm	1.5mm
95mm	1.5mm
100mm	1.5mm
107mm	1.5mm
110mm	1.5mm
115mm	1.5mm
120mm	1.5mm
130mm	1.5mm
135mm	1.5mm
140mm	1.5mm
146mm	1.5mm



Saddle Fastening Clamp / Pipe Bracket (DIN 1592/1593/1596/1597).



Diameter (mm)	Diameter (inch)	C (mm)	C (inch)	L (mm)	Design
50mm	2	11	1/2	85	A
60mm	2 3/8"	11	1/2	90	A
70mm	2 3/4"	11	1/2	100	A
75mm	3	11	1/2	105	A
80mm	3 1/8"	11	1/2	122	A
90mm	3 1/2"	11	1/2	115	B
100mm	3 7/8"	11	1/2	120	B
110mm	4 3/8"	11	1/2	150	A
115mm	4 1/2"	11	1/2	155	A
120mm	4 3/4"	11	1/2	160	B

Custom Designed Clamps and Product Development

As the leading solution provider in its sector, the Invicta's aim is to always stay a step ahead in innovation and the development of new products. Invicta's strengths as a solution provider are considerable.

To start with, the unrivaled breadth of its product range - itself the result of continual striving to develop new solutions for its customers' needs - puts the Group in a class of its own. Offering a vast range of metal clamps and couplings, Invicta can often propose different solutions for a single application. New product development benefits from extensive lifetime-testing and validation facilities that allow Invicta to carry out virtually all necessary tests in-house, analyzing any solution and application particularly effectively.



TOYOTA EXHAUST CLAMP



SPRINKLER CLAMP

Size	25-300 mm
Material	MS
Type of Clamp	U Clamp
Surface Treatment	Electroplating
Thickness	1.5mm - 3 mm



Size	25-150 mm
Material	MS, Rubber
Type of Clamp	U Clamp
Class	Medium Duty
Usage/Application	Pipe Fitting
Finish	Electrical Galvanized



Usage/Application	Pipe Fitting
Type	Lt Clamp
Material	Stainless Steel
Color	Silver
Thickness	3-5 mm
Surface Treatment	Powder Coated
Width	1-2 Inch



NO HUB COUP

DIAMETER		<p style="text-align: center;">Installation Torque 60 in.lb (6.8Nm)</p>
MM	INCH	
DN40	1.5"	
DN50	2"	
DN75	3"	
DN100	4"	
DN125	5"	
DN150	6"	
DN200	8"	
DN250	10"	
DN300	12"	

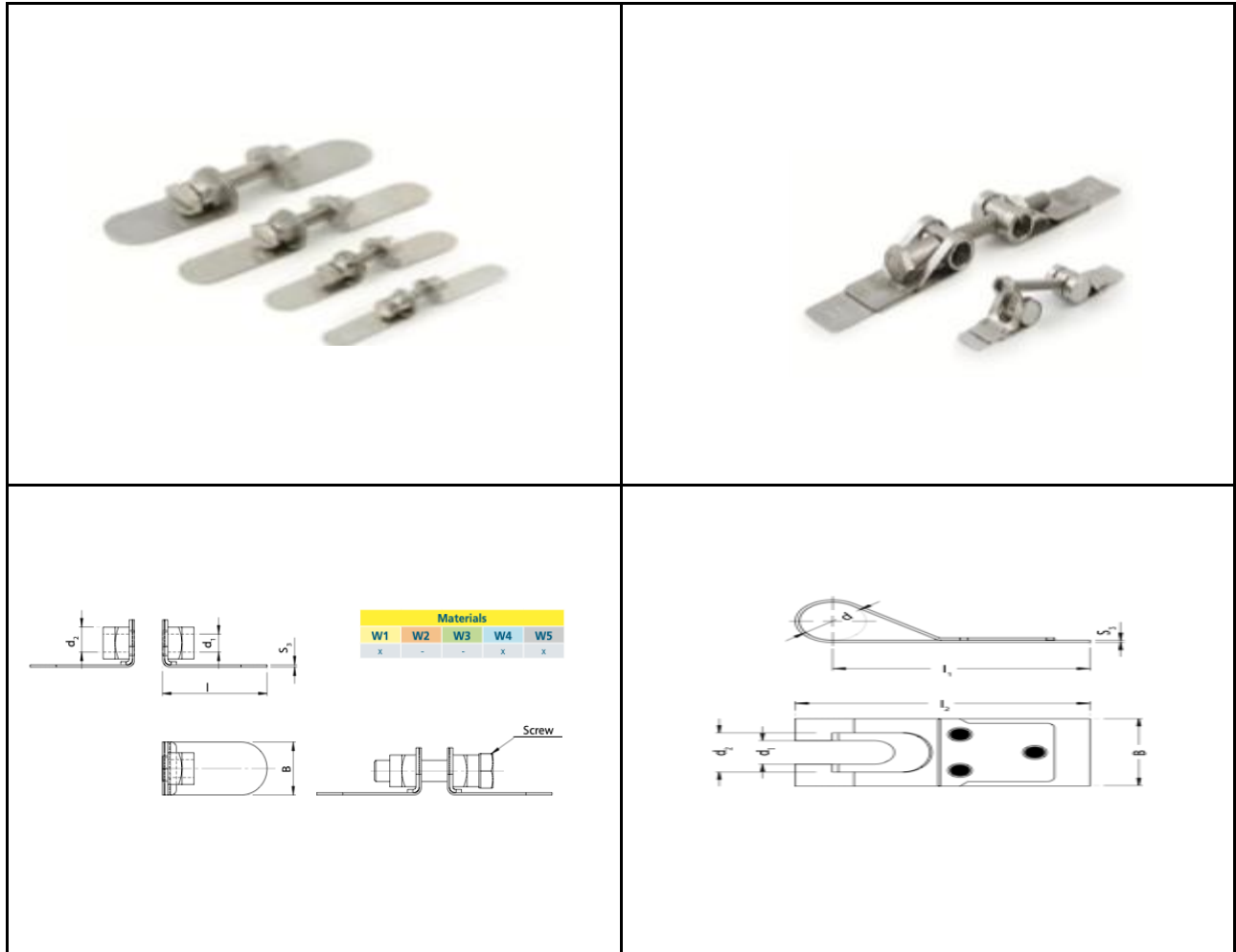


U-CLIP

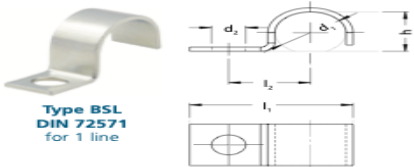
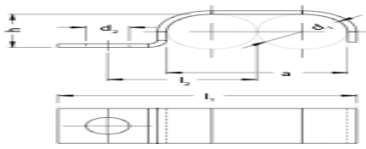

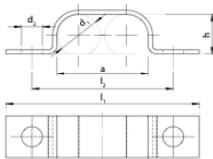
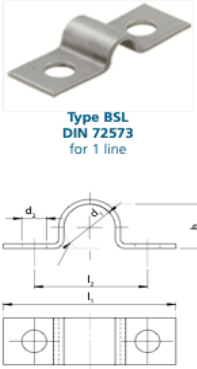
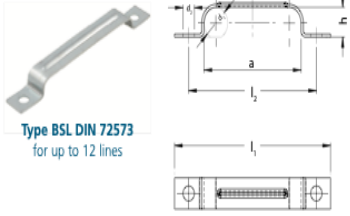
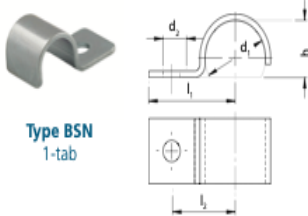
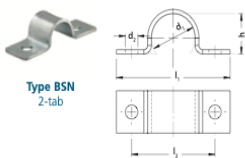

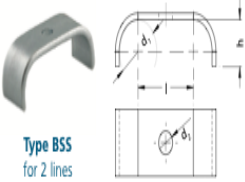
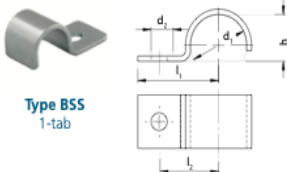
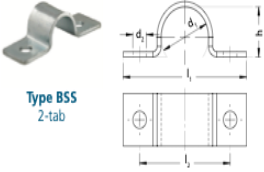

Available In: Zinc Plating

\varnothing D
6x15mm
8x20mm
8x25mm
10x32mm
10x40mm
10x50mm
12x65mm
16x80mm
16x100mm
16x125mm
20x150mm
20x200mm
20x250mm
24x300mm
24x350mm
24x400mm





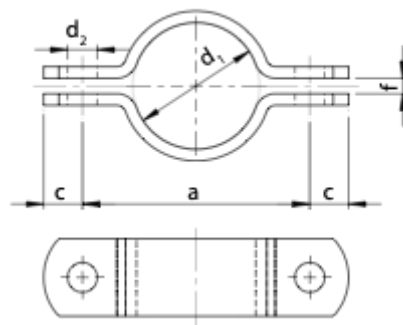
LIGHT FASTENING CLAMPS

 <p>Type BSL DIN 72571 for 1 line</p>	 <p>Type BSL DIN 72571 for 2 lines</p>
 <p>Type BSL DIN 72572 for 2 lines</p>  <p>Type BSL DIN 72573 for 2 lines</p>	 <p>Type BSL DIN 72573 for 1 line</p>
 <p>Type BSL DIN 72573 for up to 12 lines</p>	 <p>Type BSN 1-tab</p>
 <p>Type BSN 2-tab</p>	 <p>Type BSN for 2 lines</p>
 <p>Type BSS for 2 lines</p>	 <p>Type BSS 1-tab</p>
 <p>Type BSS 2-tab</p>	

DIN3567 CLAMP

Available In : Zinc Plating (W1), Stainless Steel 304 (W4)

This two-piece clamp is suited to high static loads in general plant construction, distributing heavy loads across wide distances.



Heavy pipe clamp conforming to DIN 3567, Form A									
$\varnothing d_1$	To be used for nominal diameter	a	c	$\varnothing d_2$	f	Steel mm	Accessory: Hexagon screw	Weight kg* 100 pairs	
11	20	15	57	15	11,5	7	30 x 5	M 10 x 30 Mu	19
11	22	59	20						
25	20	62	21						
27	3/4"	66	22						
30	25	68	23						
34	1"	72	24						
38	32	76	26						
43	1 1/4"	82	27						
45	40	84	28						
49	1 1/2"	88	30						
57	50	104	54						
61		108	55						
77	65	122	18	14	9	40 x 6	M 12 x 35 Mu	60	
89	80	136	70						
108	100	172	140						
115		178	145						
133	125	196	168						
140		204	180						
159	150	222	24	18	11	50 x 8	M 16 x 45 Mu	200	
169		232	205						
194	175	258	240						
216	200	280	255						
220		284	260						
267	250	342	360						
273		348	390						
318	300	392	30	23	14	60 x 8	M 20 x 50 Mu	435	
324		398	445						
368	350	444	520						
407	400	498	840						
419		510	36	27	18	70 x 10	M 24 x 60 Mu	860	
521	500	614	1020						

© Copyright 2016 Invicta India Pvt. Ltd.

All information and data stated in this Product Range document has been compiled with utmost care. Nevertheless, Invicta accepts no liability for any errors, omissions or other inaccuracies contained herein. Subject to change without notice. Reprinting or reproduction, in whole or in part, including of photographs, illustrations or graphics, is not permitted without the prior written consent of Invicta India Pvt. Ltd.. We reserve all rights in connection with this document.

Any similarity or resemblance is unintended and is merely a coincidence.

The vehicle applications cited in this Product Range document may possibly be valid only up to the date printed on the last page of the document. All references made in this Product Range document to the item numbers of vehicle manufacturers and/or competitors are provided for the purpose of comparison only. Such information is not allowed to be used in invoices issued to vehicle owners.

Contact US :

Invicta India Pvt. Ltd. / Rex Consolidated

HEAD OFFICE :

N-258 / B, Greater Kailash Part-I
New Delhi - 110048, India.
Phone : +919810614124

BRANCH OFFICE :

80 DLF Industrial Area Phase 1
Faridabad **Haryana INDIA**



+91-11-29247984/ 41635953



+91-011-29243506



info@invictaindia.co



m
rahul@invictaindia.c
om



 INVICTA®