



EXHAUST SYSTEM ACCESSORIES AND MOUNTINGS



Spark Arrestors (Pare flammes - Flame arrestor)

Coating : Trivalent Zinc Plating - Yellow Passivation
 Material : Carbon Steel ST-37



PART NUMBER	SIZE (Inner Diameter)	APPLICATION
40800	32.5mm - 39.0mm	CAR
40801	39.5mm - 44.0mm	CAR
40802	44.5mm - 49.0mm	CAR
40803	49.5mm - 54.0mm	CAR
40804	54.5mm - 59.0mm	CAR
40805	REPLACEMENT KIT	CAR
40806	50.5mm	TRUCK
40807	55.5mm	TRUCK
40808	60.5mm	TRUCK
40809	65.5mm	TRUCK
40810	70.5mm	TRUCK
40811	75.5mm	TRUCK
40812	80.5mm	TRUCK
40813	85.5mm	TRUCK
40814	90.5mm	TRUCK
40815	95.5mm	TRUCK
40816	101.0mm	TRUCK
40817	106.0mm	TRUCK
40818	111.0mm	TRUCK
40819	116.0mm	TRUCK
40820	121.0mm	TRUCK
40821	131.0mm	TRUCK
40822	REPLACEMENT KIT	TRUCK
40823	ADAPTOR	TRUCK



Exhaust Pipe Connectors | Auspuff Rohrverbinders

Available In : Zinc Plating, Stainless Steel

Bolt: DIN603 8.8

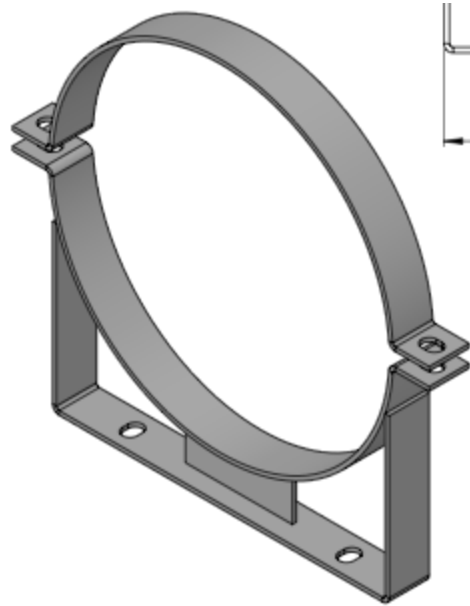
Five Designs Available

Inner Diameter (in mm)	Outer Diameter (in mm)	Length (in mm)
36mm	40.5mm	95mm
38mm	42.5mm	95mm
40mm	44.5mm	80mm
40mm	44.5mm	95mm
40mm	44.5mm	125mm
41mm	45.5mm	125mm
42mm	46.7mm	95mm
42mm	46.7mm	125mm
44mm	48.5mm	125mm
45mm	49.5mm	80mm
45mm	49.5mm	95mm
45mm	49.5mm	125mm
46mm	50.5mm	95mm
48mm	52.3mm	95mm
48mm	52.3mm	125mm
50mm	54.5mm	80mm
50mm	54.5mm	95mm
50mm	54.5mm	125mm
52mm	56.5mm	95mm
52mm	56.5mm	125mm
55mm	59.5mm	80mm
55mm	59.5mm	125mm
56mm	60.5mm	95mm
56mm	60.5mm	125mm
58mm	62.5mm	95mm
60mm	64.5mm	80mm
60mm	64.5mm	95mm
60mm	64.5mm	125mm
62mm	66.5mm	125mm
63mm	67.5mm	75mm
65mm	69.5mm	125mm
70mm	74.5mm	80mm



Exhaust Mounting Bracket Type 1

Available In : Trivalent Zinc Plating, Powder Coating, or AISI-304



Available Sizes
DN 252mm +/-5,5mm, H 162mm
DN 307mm +/-5,5mm, H 162mm
DN 368mm +/-5,5mm, H 200mm

Assembly Kits for Exhaust Systems



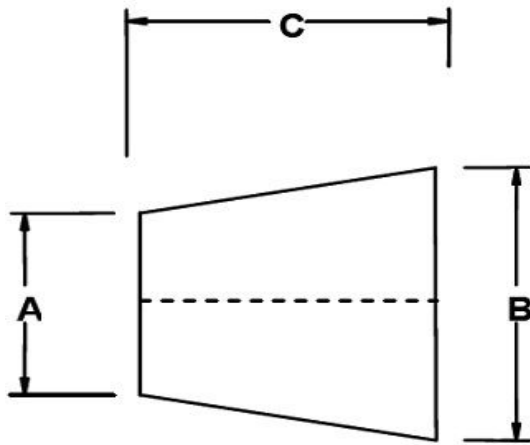
Lambda Sensor Bosses and Plugs



Exhaust Hangers and Hooks



Exhaust Cones (without flanges)



A (inch)	B (inch)	C (inch)
6	8	9.5
6	10	11.5
8	10	11.5
8	12	11.5
10	12	11.5
10	14	11.5
12	14	11.5
12	16	11.5
14	16	13.5
14	18	13.5
16	18	15.5
16	20	15.5
18	20	15.5
18	22	15.5

Flared Pipe Connectors (Universal Repair Kit)



Inside/Outside (mm)	Length (mm)
37/40	58/65
41/45	58/65
44/48	58/65
46/50	58/65
50/54	59/65
56/60	59/65
61/65	60/67



CONTACT INFORMATION

Invicta India Pvt. Ltd.
N-258/B GK1
New Delhi
India

REX Consolidated
80 DLF Industrial Area Phase 1
Faridabad 121003
India

© Copyright 2016 Invicta India Pvt. Ltd.

All information and data stated in this Product Range document has been compiled with utmost care. Nevertheless, Invicta accepts no liability for any errors, omissions or other inaccuracies contained herein. Subject to change without notice. Reprinting or reproduction, in whole or in part, including of photographs, illustrations or graphics, is not permitted without the prior written consent of Invicta India Pvt. Ltd.. We reserve all rights in connection with this document. Any similarity or resemblance is unintended and is merely a coincidence.

The vehicle applications cited in this Product Range document may possibly be valid only up to the date printed on the last page of the document. All references made in this Product Range document to the item numbers of vehicle manufacturers and/or competitors are provided for the purpose of comparison only. Such information is not allowed to be used in invoices issued to vehicle owners.

For enquiries, please email us : rahul@invictaindia.com